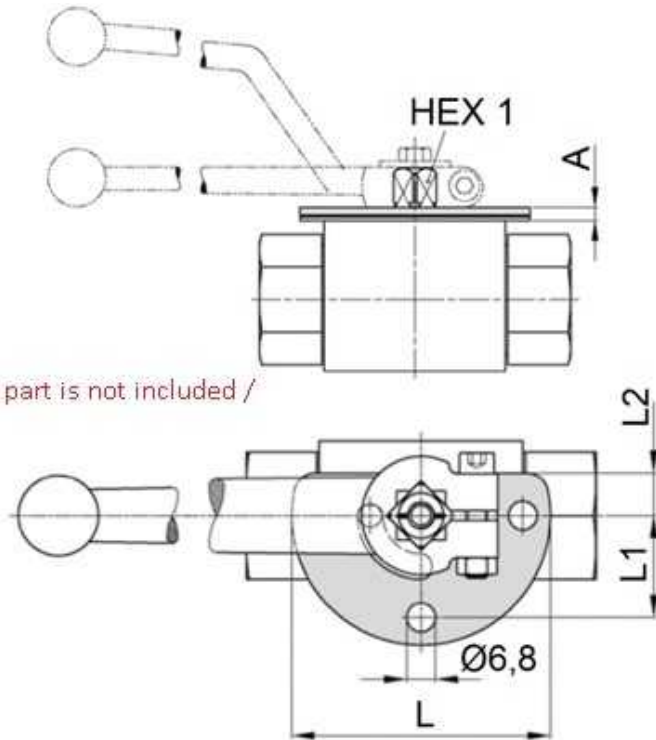


Locking devices type 2



Esta parte no va incluida / This part is not included /
Cette partie n'est pas inclus



Suitable for the ball valves type: BKH, MKH, BK3, MK3A

Material: carbon steel

Part nº	Details	L	L1	L2	HEX 1	A
CANDT2-9A	Para llaves: hex.9, DN4-8	61	24	10	9	3,5
CANDT2-9B	Para llaves: hex.9, DN10-13	61	24	10	9	3,5
CANDT2-14	Para llaves: hex.14, DN20-25	84	35,5	14	14	4,5

- Hex.9, BSP series: from 1/8" to 5/8"
- Hex.9, DIN series : from 6 to 18
- Hex.14, serie BSP: from 3/4" to 1" 1/4
- Hex.14, serie DIN: from 22 to 38