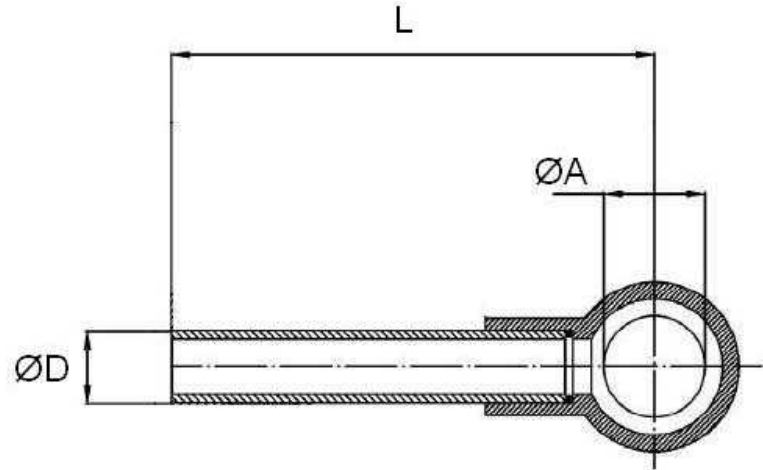


Pipe with banjo for FPD 1/4 2R0



Material Steel

Part n°	Max. Press. (bar)	L	$\varnothing A$	$\varnothing D$
50604022	250	38	1/4"	12
50604028	250	200	1/4"	12