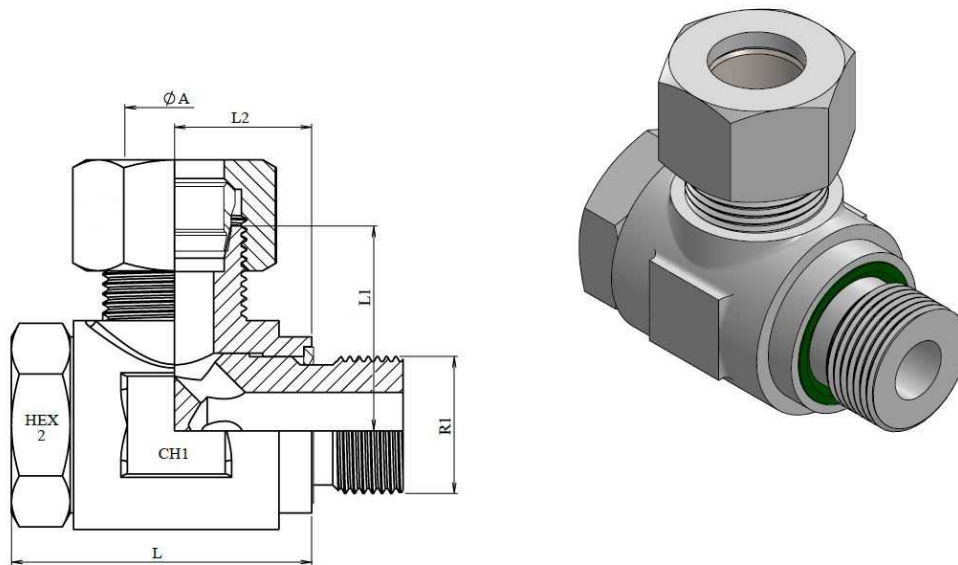


Banjo coupling with captive seal and o'ring BSP cylindrical

Stainless Steel AISI 316-L



Part n°	ØA	Serie	R1	Working Pressure (bar)	L	L1	L2	HEX 2	CH1
Z WSVL 6 R 1/8	6	L	1/8" BSP	315	31,5	12	18,5	17	17
Z WSVL 6 R 1/4	6	L	1/4" BSP	315	42	16,5	27	17	17
Z WSVL 8 R 1/4	8	L	1/4" BSP	315	42	14,5	27	19	22
Z WSVL 10 R 1/4	10	L	1/4" BSP	315	41,6	15,5	26,6	19	22
Z WSVL 12 R 3/8	12	L	3/8" BSP	315	47	18	28,5	24	27
Z WSVL 15 R 1/2	15	L	1/2" BSP	315	58	21,5	33,5	27	32
Z WSVL 18 R 1/2	18	L	1/2" BSP	315	60	21,8	35,5	27	32
Z WSVL 22 R 3/4	22	L	3/4" BSP	160	68	27,5	40	36	41
Z WSVL 28 R 1	28	L	1" BSP	160	82	32	48,5	46	50
Z WSVL 35 R 1 1/4	35	L	1"1/4 BSP	160	95	36	55,5	50	60
Z WSVL 42 R 1 1/2	42	L	1"1/2 BSP	160	96	40,5	62,5	60	70
Z WSVS 6 R 1/4	6	S	1/4" BSP	400	42	16,5	27	19	22
Z WSVS 8 R 1/4	8	S	1/4" BSP	400	42	16,5	27	19	22
Z WSVS 10 R 3/8	10	S	3/8" BSP	400	47,5	18,5	28,5	24	27
Z WSVS 12 R 3/8	12	S	3/8" BSP	400	47	18,5	28,5	24	27
Z WSVS 14 R 1/2	14	S	1/2" BSP	400	58	22,5	33,5	27	32
Z WSVS 16 R 1/2	16	S	1/2" BSP	400	60	22	35,5	27	32
Z WSVS 20 R 3/4	20	S	3/4" BSP	400	68	26,5	40	36	41
Z WSVS 25 R 1	25	S	1" BSP	400	82	31,5	49,5	46	50
Z WSVS 30 R 1 1/4	30	S	1"1/4 BSP	400	95	37	55,5	55	60
Z WSVS 38 R 1 1/2	38	S	1"1/2 BSP	315	96	41,5	62,5	60	70

SEAL MATERIAL FKM