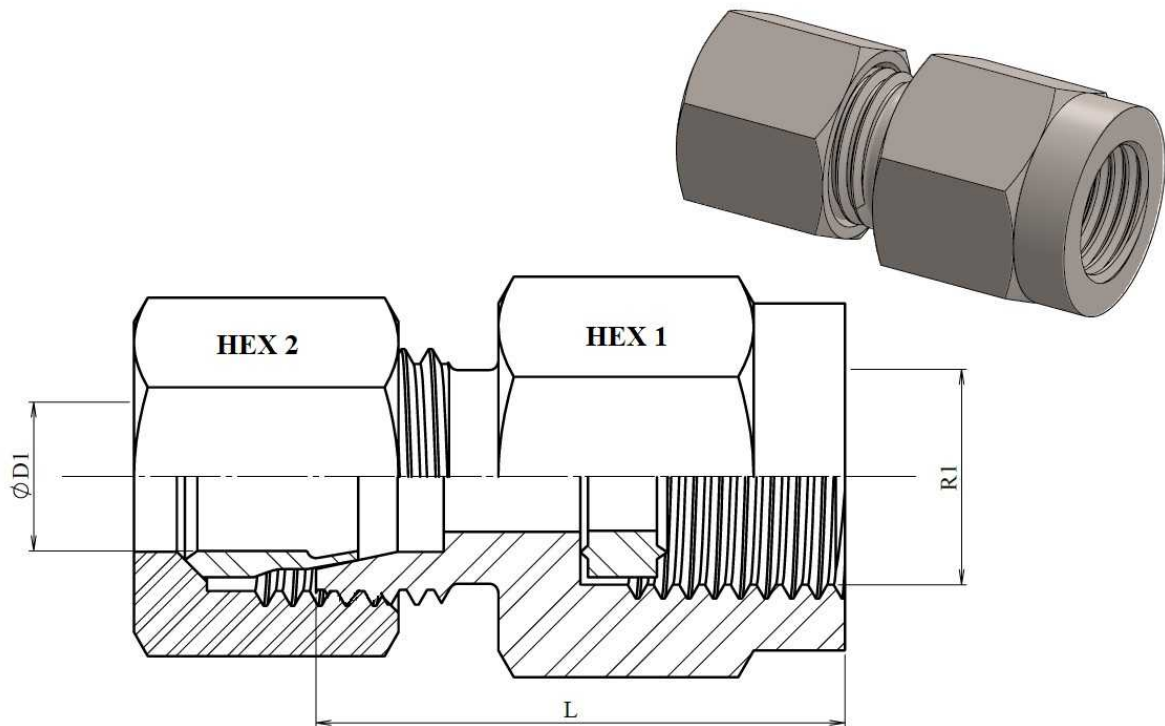


Gauge coupling BSP cylindrical

Stainless Steel AISI 316-L



Part nº	ØD1	Serie	R1	Working Pressure (bar)	L	HEX 1	HEX 2
Z MAVL 6 R 1/4	6	L	1/4" BSP	315	29	14	19
Z MAVL 8 R 1/4	8	L	1/4" BSP	315	29	17	19
Z MAVL 10 R 1/4	10	L	1/4" BSP	315	30	19	19
Z MAVL 12 R 1/4	12	L	1/4" BSP	315	30	22	19
Z MAVS 6 R 1/2	6	S	1/2" BSP	630	37	17	27
Z MAVS 8 R 1/2	8	S	1/2" BSP	630	37	19	27
Z MAVS 10 R 1/2	10	S	1/2" BSP	630	37	22	27
Z MAVS 12 R 1/2	12	S	1/2" BSP	630	37	24	27