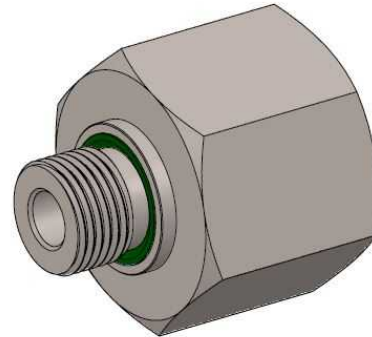
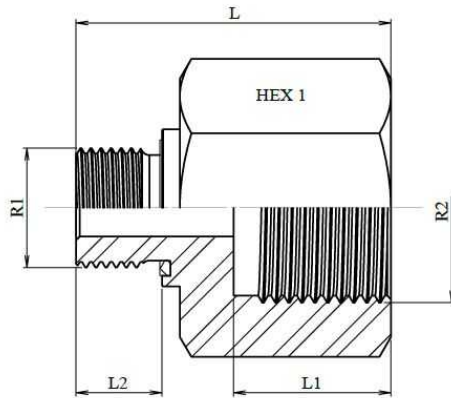


**Male-female reducing adaptor BSP cylindrical with flat seal**

Stainless Steel AISI 316-L



Part n°	R1	R2	Working Pressure (bar)	L	L1	L2	HEX 1
Z RI-R 1/8 R 1/4WD	1/8"BSP	1/4"BSP	630	30	16	8	19
Z RI-R 1/4 R 1/8WD	1/4"BSP	1/8"BSP	630	28	12	12	19
Z RI-R 1/4 R 3/8WD	1/4"BSP	3/8"BSP	630	35,5	17	12	24
Z RI-R 1/4 R 1/2WD	1/4"BSP	1/2"BSP	630	40	21	12	30
Z RI-R 3/8 R 1/8WD	3/8"BSP	1/8"BSP	630	22,5	9	12	22
Z RI-R 3/8 R 1/4WD	3/8"BSP	1/4"BSP	630	36	17	12	22
Z RI-R 3/8 R 1/2WD	3/8"BSP	1/2"BSP	630	41	20	12	27
Z RI-R 3/8 R 3/4WD	3/8"BSP	3/4"BSP	400	44	22	12	36
Z RI-R 1/2 R 1/8WD	1/2"BSP	1/8"BSP	630	24	9	14	27
Z RI-R 1/2 R 1/4WD	1/2"BSP	1/4"BSP	630	24	13	14	27
Z RI-R 1/2 R 3/8WD	1/2"BSP	3/8"BSP	630	36	17	14	27
Z RI-R 1/2 R 3/4WD	1/2"BSP	3/4"BSP	400	46	22	14	36
Z RI-R 3/4 R 1/4WD	3/4"BSP	1/4"BSP	400	26	13	16	32
Z RI-R 3/4 R 3/8WD	3/4"BSP	3/8"BSP	400	26	14	16	32
Z RI-R 3/4 R 1/2WD	3/4"BSP	1/2"BSP	400	41	20	16	32
Z RI-R 3/4 R 1WD	3/4"BSP	1"BSP	400	51	24,5	16	41
Z RI-R 1 R 1/4WD	1"BSP	1/4"BSP	400	29	14	18	41
Z RI-R 1 R 3/8WD	1"BSP	3/8"BSP	400	29	14	18	41
Z RI-R 1 R 1/2WD	1"BSP	1/2"BSP	400	29	16	18	41
Z RI-R 1 R 3/4WD	1"BSP	3/4"BSP	400	47	22	18	41
Z RI-R 1 R 1 1/4WD	1"BSP	1 1/4 BSP	400	57	26,5	18	55
Z RI-R 1 1/4 R 1/2WD	1 1/4 BSP	1/2"BSP	400	32	16	20	50
Z RI-R 1 1/4 R 3/4WD	1 1/4 BSP	3/4"BSP	400	32	20	20	50
Z RI-R 1 1/4 R 1WD	1 1/4 BSP	1"BSP	400	51	21	20	50
Z RI-R 1 1/4 R 1 1/2WD	1 1/4 BSP	1 1/2 BSP	315	60	28	20	60
Z RI-R 1 1/2 R 1/2WD	1 1/2 BSP	1/2"BSP	315	36	16	22	55
Z RI-R 1 1/2 R 3/4WD	1 1/2 BSP	3/4"BSP	315	36	18	22	55

**Male-female reducing adaptor BSP cylindrical with flat seal**

Stainless Steel AISI 316-L

**2/2**

Part n°	R1	R2	Working Pressure (bar)	L	L1	L2	HEX 1
<b>Z RI-R 1 1/2 R 1WD</b>	1"1/2 BSP	1"BSP	315	36	20	22	55
<b>Z RI-R 1 1/2 R 1 1/4WD</b>	1"1/2 BSP	1"1/4 BSP	315	58	26,5	22	55
<b>Z RI-R 1 1/2 R 2WD</b>	1"1/2 BSP	2" BSP	215	67	29	25	70
<b>Z RI-R 2 R 1 1/2WD</b>	2" BSP	1"1/2 BSP	315	67	29	29	70

SEAL MATERIAL FKM