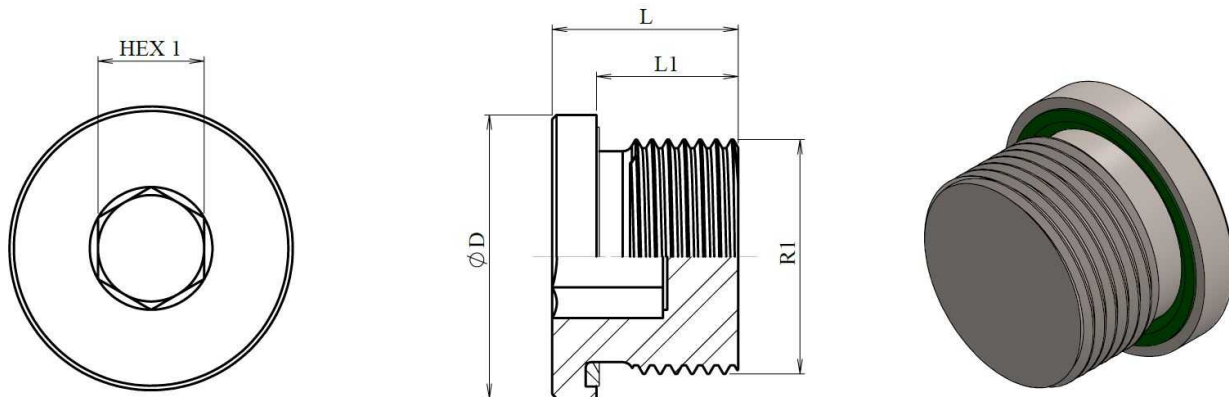


**Blanking plug with captive seal BSP cylindrical**

Stainless Steel AISI 316

**1/1****Seal:** FKM

Part n°	R1	Working Pressure (bar)	L	L1	HEX 1	ØD
<b>Z STOPFEN 1/8</b>	1/8" BSP	400	12	8	5	14
<b>Z STOPFEN 1/4</b>	1/4" BSP	400	17	12	6	19
<b>Z STOPFEN 3/8</b>	3/8" BSP	400	17	12	8	22
<b>Z STOPFEN 1/2</b>	1/2" BSP	400	19	14	10	27
<b>Z STOPFEN 3/4</b>	3/4" BSP	400	21	16	12	32
<b>Z STOPFEN 1</b>	1" BSP	400	22.5	16	17	40
<b>Z STOPFEN 1 1/4</b>	1"1/4 BSP	250	26,5	18	22	50
<b>Z STOPFEN 1 1/2</b>	1"1/2 BSP	250	22.8	15,8	24	54.9