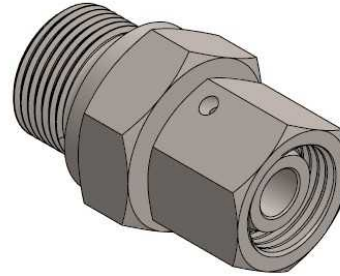
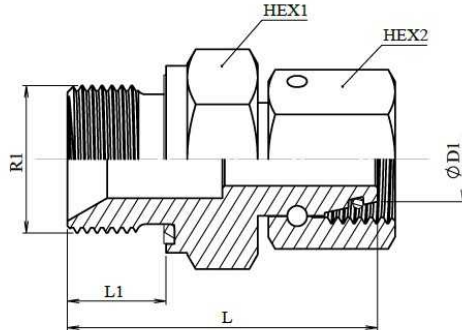


**Straight stud standpipe adaptor with captive seal
BSP cylindrical-metric swivel fem.**

Stainless Steel AISI 316-L



Part n°	ØD1	Serie	R1	Working Pressure (bar)	L	L1	HEX 1	HEX 2
Z RAL 6 R 1/8TLMWD	6	L	1/8"BSP	315	31,5	8	14	17
Z RAL 8 R 1/4TLMWD	8	L	1/4"BSP	315	37,5	12	19	17
Z RAL 10 R 1/4TLMWD	10	L	1/4"BSP	315	38	12	19	19
Z RAL 12 R 1/4TLMWD	12	L	1/4"BSP	315	39	12	19	22
Z RAL 12 R 3/8TLMWD	12	L	3/8"BSP	315	39,5	12	22	22
Z RAL 12 R 1/2TLMWD	12	L	1/2"BSP	315	44	14	27	22
Z RAL 15 R 1/2TLMWD	15	L	1/2"BSP	315	44	14	27	27
Z RAL 18 R 1/2TLMWD	18	L	1/2"BSP	315	45	14	27	32
Z RAL 22 R 3/4TLMWD	22	L	3/4"BSP	160	50,5	16	32	36
Z RAL 28 R 1TLMWD	28	L	1"BSP	160	51	18	41	46
Z RAL 35 R 1 1/4TLMWD	35	L	1"1/4 BSP	160	61,5	20	50	50
Z RAL 42 R 1 1/2TLMWD	42	L	1"1/2 BSP	160	66,5	22	55	60
Z RAS 6 R 1/4TLMWD	6	S	1/4"BSP	630	37	12	19	17
Z RAS 8 R 1/4TLMWD	8	S	1/4"BSP	630	37,5	12	19	19
Z RAS 10 R 3/8TLMWD	10	S	3/8"BSP	630	40	12	22	22
Z RAS 12 R 3/8TLMWD	12	S	3/8"BSP	630	40,5	12	22	24
Z RAS 12 R 1/2TLMWD	12	S	1/2"BSP	630	43	14	27	30
Z RAS 14 R 1/2TLMWD	14	S	1/2"BSP	630	43	14	27	27
Z RAS 16 R 1/2TLMWD	16	S	1/2"BSP	400	45,5	14	27	30
Z RAS 20 R 3/4TLMWD	20	S	3/4"BSP	400	52	16	32	36
Z RAS 25 R 1TLMWD	25	S	1"BSP	400	55,5	18	41	46
Z RAS 30 R 1 1/4TLMWD	30	S	1"1/4 BSP	400	62	20	50	50
Z RAS 38 R 1 1/2TLMWD	38	S	1"1/2 BSP	315	66	22	55	60

FKM seals