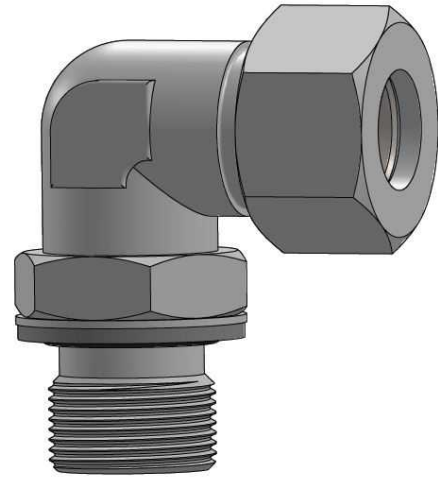
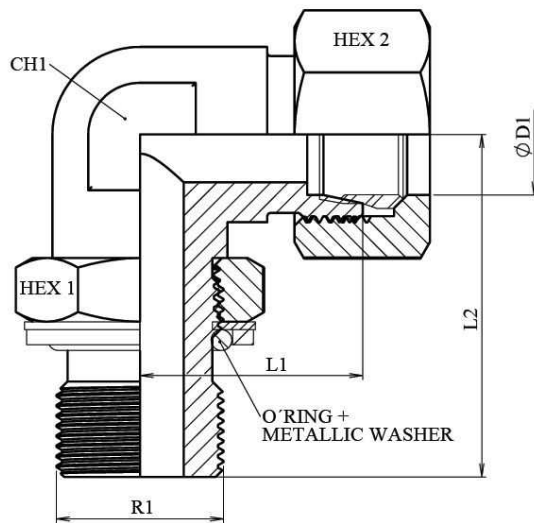


90° Adjustable male stud elbow BSP

Stainless Steel AISI 316-L



Part n°	ØD1	Serie	R1	Working Pressure (bar)	L1	L2	HEX 1	HEX 2	CH1
Z WEE 6L R 1/8	6	L	1/8" BSP	315	20	26	14	14	14
Z WEE 8L R 1/4	8	L	1/4" BSP	315	22,5	32	19	17	14
Z WEE 10L R 1/4	10	L	1/4" BSP	315	24,5	33	19	19	19
Z WEE 12L R 3/8	12	L	3/8" BSP	315	26	37	22	22	19
Z WEE 15L R 1/2	15	L	1/2" BSP	315	29	44	27	27	22
Z WEE 18L R 1/2	18	L	1/2" BSP	315	33	47	27	32	27
Z WEE 22L R 3/4	22	L	3/4" BSP	160	36,5	52	30	36	36
Z WEE 6S R 1/4	6	S	1/4" BSP	630					
Z WEE 8S R 1/4	8	S	1/4" BSP	630					
Z WEE 10S R 3/8	10	S	3/8" BSP	630					
Z WEE 12S R 3/8	12	S	3/8" BSP	630					
Z WEE 16S R 1/2	16	S	1/2" BSP	400	33	47	27	30	27
Z WEE 20S R 3/4	20	S	3/4" BSP	400	38	51	36	36	30
Z WEE 25S R 1	25	S	1" BSP	400	44	55	41	46	36