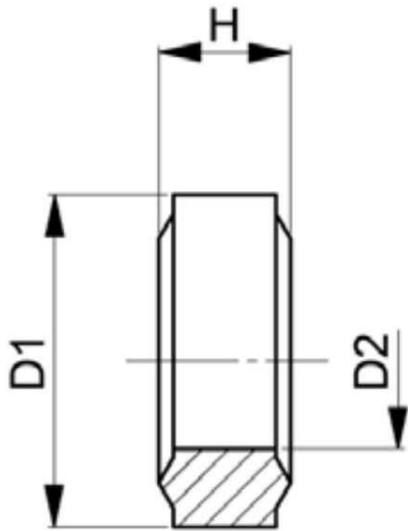


Seal for gauge coupling

Part n°	R1	H	ØD1	ØD2
Z AM 6	1/4" BSP	4.5	11.5	6
Z AM 12	1/2" BSP	5	18.5	12