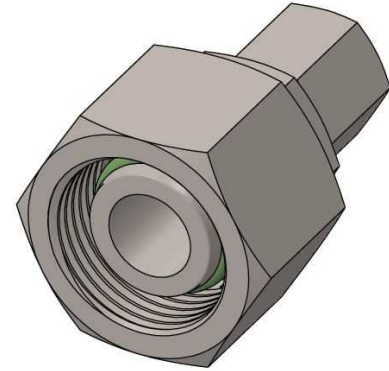
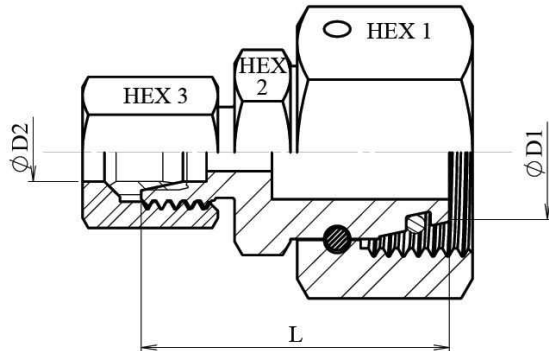


Standpipe reducer swivel female (heavy series)

Stainless Steel AISI 316-L



Part n°	ØD1	ØD2	Serie	Working Pressure (bar)	L	HEX 1	HEX 2
Z KORS 8-6 TLM	8	6	S	630	35,5	19	17
Z KORS 10-6 TLM	10	6	S	630	37,5	22	17
Z KORS 10-8 TLM	10	8	S	630	37,5	22	17
Z KORS 12-6 TLM	12	6	S	630	38	24	19
Z KORS 12-8 TLM	12	8	S	630	38	24	19
Z KORS 12-10 TLM	12	10	S	630	38	24	19
Z KORS 14-10 TLM	14	10	S	630	38	27	19
Z KORS 14-12 TLM	14	12	S	630	38	27	19
Z KORS 16-6 TLM	16	6	S	400	40,5	30	22
Z KORS 16-8 TLM	16	8	S	400	40,5	30	22
Z KORS 16-10 TLM	16	10	S	400	40,5	30	22
Z KORS 16-12 TLM	16	12	S	400	40,5	30	22
Z KORS 20-8 TLM	20	8	S	400	45	36	27
Z KORS 20-10 TLM	20	10	S	400	45	36	27
Z KORS 20-12 TLM	20	12	S	400	45	36	27
Z KORS 20-14 TLM	20	14	S	400	47	30	27
Z KORS 20-16 TLM	20	16	S	400	42	36	27
Z KORS 25-12 TLM	25	12	S	400	46,5	46	36
Z KORS 25-16 TLM	25	16	S	400	48,5	46	36
Z KORS 25-20 TLM	25	20	S	400	50,5	46	36
Z KORS 30-16 TLM	30	16	S	400	53	50	41
Z KORS 30-20 TLM	30	20	S	400	55	50	41
Z KORS 30-25 TLM	30	25	S	400	57	50	41
Z KORS 38-20 TLM	38	20	S	315	57	60	50
Z KORS 38-25 TLM	38	25	S	315	59	60	50
Z KORS 38-30 TLM	38	30	S	315	61	60	50

Standpipe reducer swivel female (heavy series)



Stainless Steel AISI 316-L

2/2

Part n°	ØD1	ØD2	Serie	Working Pressure (bar)	L	HEX 1	HEX 2
---------	-----	-----	-------	------------------------	---	-------	-------

SEAL MATERIAL FKM