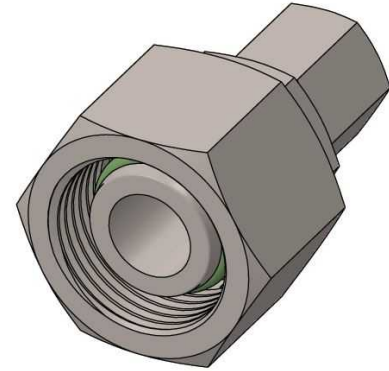
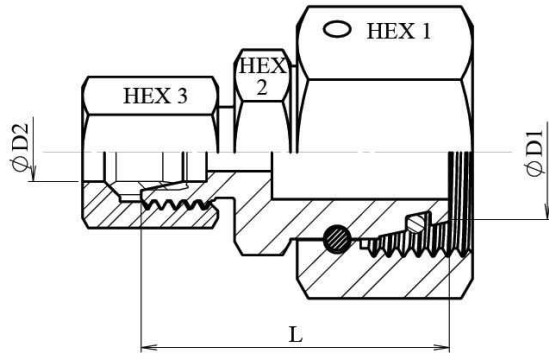


Standpipe reducer swivel female (light series)

Stainless Steel AISI 316-L

1/2

Part nº	ØD1	ØD2	Serie	Working Pressure (bar)	L	HEX 1	HEX 2	HEX 3
Z KORL 8-6 TLM	8	6	L	315	31,7	17	12	14
Z KORL 10-6 TLM	10	6	L	315	30,5	19	14	14
Z KORL 10-8 TLM	10	8	L	315	32	19	14	17
Z KORL 12-6 TLM	12	6	L	315	35	22	17	14
Z KORL 12-8 TLM	12	8	L	315	35	22	17	17
Z KORL 12-10 TLM	12	10	L	315	33	22	17	19
Z KORL 15-6 TLM	15	6	L	315	35	27	19	14
Z KORL 15-8 TLM	15	8	L	315	35	27	19	17
Z KORL 15-10 TLM	15	10	L	315	36	27	19	19
Z KORL 15-12 TLM	15	12	L	315	36	27	19	22
Z KORL 18-8 TLM	18	8	L	315	41	32	24	17
Z KORL 18-10 TLM	18	10	L	315	42	32	24	19
Z KORL 18-12 TLM	18	12	L	315	42	32	24	22
Z KORL 18-15 TLM	18	15	L	315	43	32	24	27
Z KORL 22-10 TLM	22	10	L	160	42	36	27	19
Z KORL 22-12 TLM	22	12	L	160	42	36	27	22
Z KORL 22-15 TLM	22	15	L	160	43	36	27	27
Z KORL 22-18 TLM	22	18	L	160	43	36	27	32
Z KORL 28-10 TLM	28	10	L	160	45	41	36	19
Z KORL 28-12 TLM	28	12	L	160	41,5	41	36	22
Z KORL 28-15 TLM	28	15	L	160	46	41	36	27
Z KORL 28-18 TLM	28	18	L	160	46	41	36	32
Z KORL 28-22 TLM	28	22	L	160	48	41	36	36
Z KORL 35-12 TLM	35	12	L	160	49,5	50	46	22
Z KORL 35-22 TLM	35	22	L	160	52,5	50	46	36
Z KORL 35-28 TLM	35	28	L	160	52,5	50	46	41
Z KORL 42-22 TLM	42	22	L	160	55,5	60	50	36

Standpipe reducer swivel female (light series)

Stainless Steel AISI 316-L

2/2

Part n°	ØD1	ØD2	Serie	Working Pressure (bar)	L	HEX 1	HEX 2	HEX 3
Z KORL 42-28 TLM	42	28	L	160	55,3	60	50	41
Z KORL 42-35 TLM	42	35	L	160	57,3	60	50	50

SEAL MATERIAL FKM