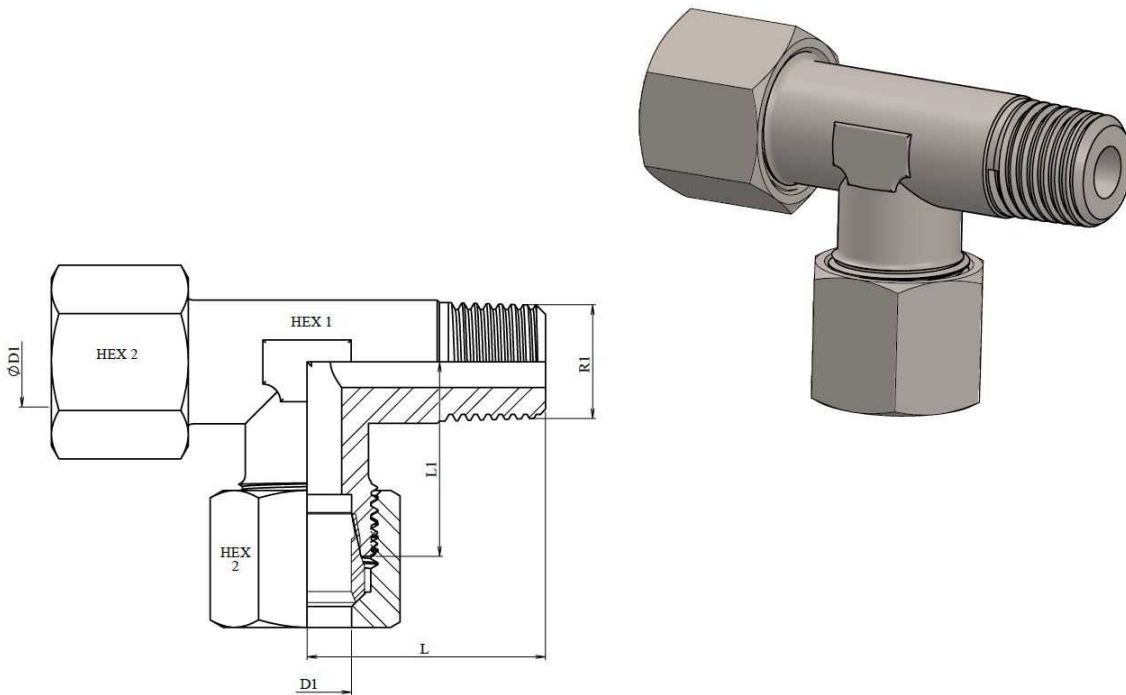


**Male stud barrel TEE BSPT**

Part n°	PIPE	SERIES	THREAD	LONGITUD TOTAL	LONGITUD L1	HEXAGONAL 1	HEXAGONAL 2	WORK PRESSURE (bar)
<b>Z LKL 6 R 1/8</b>	6	L	1/8" BSPT	20	19	12	14	315
<b>Z LKL 8 R 1/4</b>	8	L	1/4" BSPT	26	21	12	17	315
<b>Z LKL 10 R 1/4</b>	10	L	1/4" BSPT	27	22	14	19	315
<b>Z LKL 12 R 3/8</b>	12	L	3/8" BSPT	28	24	17	22	315
<b>Z LKL 15 R 1/2</b>	15	L	1/2" BSPT	34	28	19	27	315
<b>Z LKL 18 R 1/2</b>	18	L	1/2" BSPT	36	31	24	32	315
<b>Z LKS 6 R 1/4</b>	6	S	1/4" BSPT	26	23	12	17	630
<b>Z LKS 8 R 1/4</b>	8	S	1/4" BSPT	27	24	14	19	630
<b>Z LKS 10 R 3/8</b>	10	S	3/8" BSPT	28	25	17	22	630
<b>Z LKS 12 R 3/8</b>	12	S	3/8" BSPT	28	20	17	24	630
<b>Z LKS 14 R 1/2</b>	14	S	1/2" BSPT	34	30	19	27	630
<b>Z LKS 16 R 1/2</b>	16	S	1/2" BSPT	36	33	24	30	400