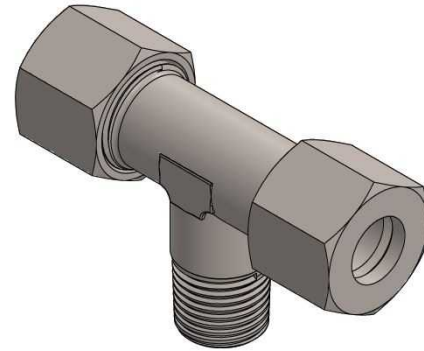
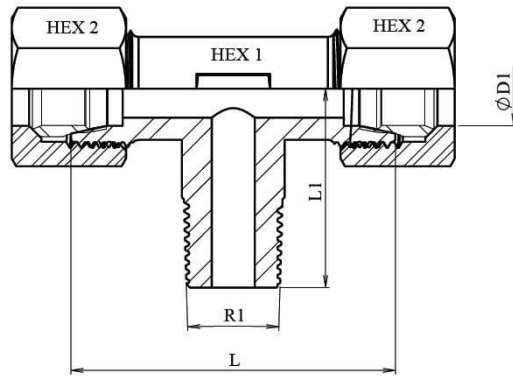


Male stud branch TEE BSPT

Part n°	PIPE	SERIES	THREAD	WORK PRESSURE (bar)	LONGITUD TOTAL	LONGITUD L1	HEXAGONAL 1	HEXAGONAL 2
Z FKL 6 R 1/8	6	L	1/8" BSPT	315	38	20	12	14
Z FKL 8 R 1/8	8	L	1/8" BSPT	315				
Z FKL 8 R 1/4	8	L	1/4" BSPT	315	42	26	12	17
Z FKL 10 R 1/4	10	L	1/4" BSPT	315	44	27	14	19
Z FKL 12 R 3/8	12	L	3/8" BSPT	315	48	28	17	22
Z FKL 15 R 1/2	15	L	1/2" BSPT	315	56	34	19	27
Z FKL 18 R 1/2	18	L	1/2" BSPT	315	62	36	24	32
Z FKS 6 R 1/4	6	S	1/4" BSPT	630	46	26	12	17
Z FKS 8 R 1/4	8	S	1/4" BSPT	630	48	27	14	19
Z FKS 10 R 3/8	10	S	3/8" BSPT	630	50	28	17	22
Z FKS 12 R 3/8	12	S	3/8" BSPT	630	58	28	17	24
Z FKS 14 R 1/2	14	S	1/2" BSPT	630	60	34	19	27