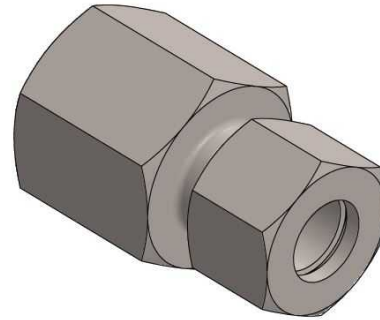
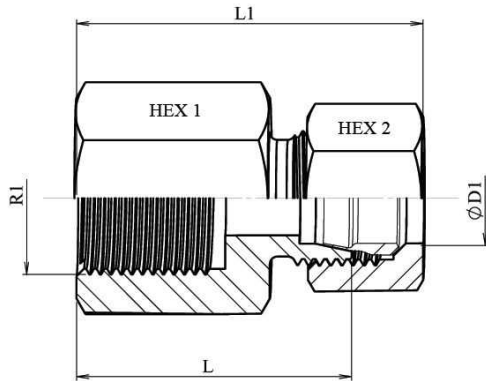


Female stud coupling Metric Cylindrical

Stainless Steel AISI 316-L



Part n°	ØD1	Serie	R1	Working Pressure (bar)	L	L1	HEX 1	HEX 2
Z GAIL 6 M 10X1	6	L	M10X1	315	26	34,5	14	14
Z GAIL 8 M 12X1.5	8	L	M12X1.5	315	31	39	17	17
Z GAIL 10 M 14X1.5	10	L	M14X1.5	315	32	40	19	19
Z GAIL 12 M 16X1.5	12	L	M16X1.5	315	33	41	22	22
Z GAIL 15 M 18X1.5	15	L	M18X1.5	315	38	43	24	27
Z GAIL 18 M 22X1.5	18	L	M22X1.5	315	38	46	27	32
Z GAIL 22 M 26X1.5	22	L	M26X1.5	160	42	51	32	36
Z GAIL 28 M 33X2	28	L	M33X2	160	46	54	41	41
Z GAIL 35 M 42X2	35	L	M42X2	160	53	62	55	50
Z GAIL 42 M 48X2	42	L	M48X2	160	55	65	60	60
Z GAIS 6 M 12X1.5	6	S	M12X1.5	630	33	41	17	17
Z GAIS 8 M 14X1.5	8	S	M14X1.5	630	33	41	19	19
Z GAIS 10 M 16X1.5	10	S	M16X1.5	630	34	43	22	22
Z GAIS 12 M 18X1.5	12	S	M18X1.5	630	34	44	24	24
Z GAIS 14 M 20X1.5	14	S	M20X1.5	630	40	49	27	27
Z GAIS 16 M 22X1.5	16	S	M22X1.5	400	40	49	27	27
Z GAIS 20 M 27X2	20	S	M27X2	400	45	56	36	36
Z GAIS 25 M 33X2	25	S	M33X2	400	49,5	61,5	41	46
Z GAIS 30 M 42X2	30	S	M42X2	400	55,5	61	41	46
Z GAIS 38 M 48X2	38	S	M48X2	315	59,5	74	60	60