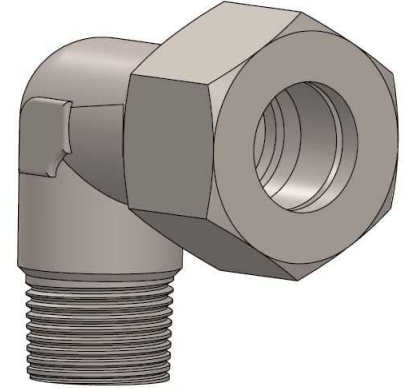
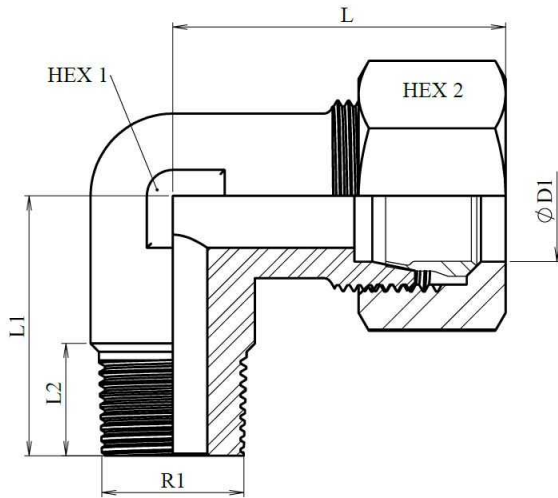


Male stud elbow NPT

Stainless Steel AISI 316-L



Part n°	ØD1	Serie	R1	Working Pressure (bar)	L	L1	L2	HEX 1	HEX 2
Z CKL 6 1/8 NPT	6	L	1/8" NPT	315	27	20	10	12	14
Z CKL 6 1/4 NPT	6	L	1/4" NPT	315	29	26	11	12	14
Z CKL 8 1/4 NPT	8	L	1/4" NPT	315	29	26	15	12	17
Z CKL 10 1/4 NPT	10	L	1/4" NPT	315	30	27	15	14	19
Z CKL 12 1/4 NPT	12	L	1/4" NPT	315	32	28	15	17	22
Z CKL 12 3/8 NPT	12	L	3/8" NPT	315	32	28	12	17	22
Z CKL 12 1/2 NPT	12	L	1/2" NPT	315	38	34	20	19	22
Z CKL 15 1/2 NPT	15	L	1/2" NPT	315	36	34	18	19	27
Z CKL 18 1/2 NPT	18	L	1/2" NPT	315	40	36	20	24	32
Z CKL 22 3/4 NPT	22	L	3/4" NPT	160	44	42	20	27	36
Z CKL 28 1 NPT	28	L	1" NPT	160	47	48	25	36	41
Z CKL 35 1 1/4 NPT	35	L	1"1/4 NPT	160	56	54	25	41	50
Z CKL 42 1 1/2 NPT	42	L	1"1/2 NPT	160	63	61	22	50	60
Z CKS 6 1/4 NPT	6	S	1/4" NPT	630	29	26	11	12	17
Z CKS 8 1/4 NPT	8	S	1/4" NPT	630	32	27	15	14	19
Z CKS 10 3/8 NPT	10	S	3/8" NPT	630	34	28	12	17	22
Z CKS 12 3/8 NPT	12	S	3/8" NPT	630	38	28	13,5	17	24
Z CKS 12 1/2 NPT	12	S	1/2" NPT	630	25	28	15	19	24
Z CKS 14 1/2 NPT	14	S	1/2" NPT	630	40	34	20	19	27
Z CKS 16 1/2 NPT	16	S	1/2" NPT	400	43	36	20	24	30
Z CKS 20 3/4 NPT	20	S	3/4" NPT	400	48	42	20	27	36
Z CKS 25 1 NPT	25	S	1" NPT	400	54	48	25	36	46
Z CKS 30 1 1/4 NPT	30	S	1"1/4 NPT	400	62	54	25	41	50
Z CKS 38 1 1/2 NPT	38	S	1"1/2 NPT	315	72	61	22	50	60