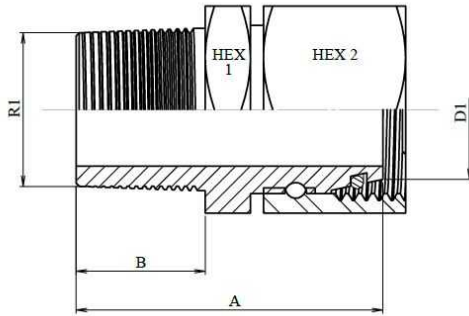


Straight stud standpipe adaptor NPT- metric swivel fem.

Stainless Steel AISI 316-L



Part n°	ØD1	Serie	R1	Working Pressure (bar)	A	B	HEX 1	HEX 2
Z RAL 6 R 1/8 NPTTLM	6	L	1/8"NPT	315	30,5	10	11	17
Z RAL 8 R 1/4 NPTTLM	8	L	1/4"NPT	315	38,5	12	19	22
Z RAL 10 R 1/4 NPTTLM	10	L	1/4"NPT	315	14	19	38	14
Z RAL 12 R 3/8 NPTTLM	12	L	3/8" NPT	315	40	17	19	22
Z RAL 15 R 1/2 NPTTLM	15	L	1/2" NPT	315	49,5	19	22	27
Z RAL 18 R 1/2 NPTTLM	18	L	1/2"NPT	315	49	26	27	32
Z RAL 22 R 3/4 NPTTLM	22	L	3/4"NPT	160	52	20	27	36
Z RAL 28 R 1 NPTTLM	28	L	1"NPT	160	61	25	36	46
Z RAL 35 R 1 1/4 NPTTLM	35	L	1"1/4 NPT	160	65,5	26	46	50
Z RAL 42 R 1 1/2 NPTTLM	42	L	1"1/2 NPT	160	68,5	26	50	60
Z RAS 6 R 1/4 NPTTLM	6	S	1/4"NPT	630	37,5	14	14	17
Z RAS 8 R 1/4 NPTTLM	8	S	1/4"NPT	630	38	14	17	19
Z RAS 10 R 3/8 NPTTLM	10	S	3/8"NPT	630	40,5	26	19	22
Z RAS 12 R 1/4 NPTTLM	12	S	1/4" NPT	630	44,5	12	19	22
Z RAS 14 R 1/2 NPTTLM	14	S	1/2"NPT	630	50,5	19	22	27
Z RAS 16 R 1/2 NPTTLM	16	S	1/2"NPT	400	51	19	24	30
Z RAS 20 R 3/4 NPTTLM	20	S	3/4"NPT	400	54	26	27	36
Z RAS 25 R 3/4 NPTTLM	25	S	3/4"NPT	400	48,5	16	32	36
Z RAS 25 R 1 NPTTLM	25	S	1"NPT	400	63,5	25	36	46
Z RAS 30 R 1 NPTTLM	30	S	1"NPT	400	70	25	50	60
Z RAS 30 R 1 1/4 NPTTLM	30	S	1"1/4 NPT	400	70	26	46	50
Z RAS 38 R 1 1/2 NPTTLM	38	S	1"1/2 NPT	315	73	26	50	60

SEAL MATERIAL FKM