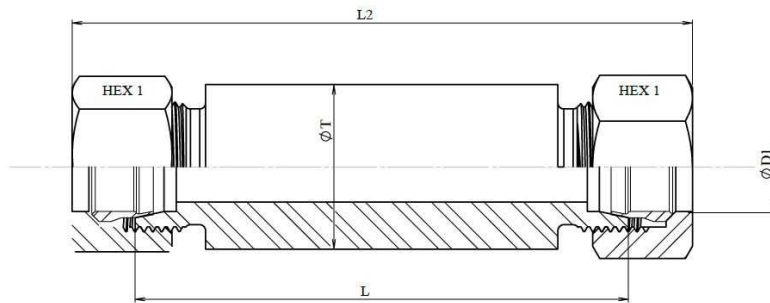
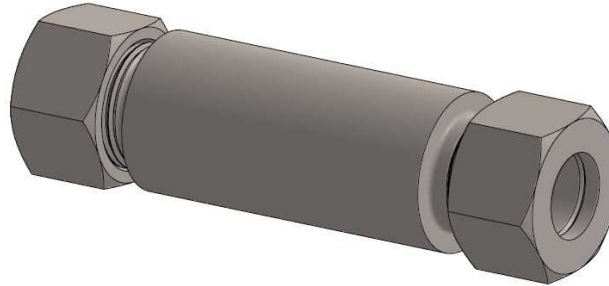


Weldable bulkhead coupling

Stainless Steel AISI 316-L



Part n°	ØD1	Serie	Working Pressure (bar)	L	L2	HEX 1	ØT
Z ESVL 6	6	L	315	70	86	14	18
Z ESVL 8	8	L	315	70	86	17	20
Z ESVL 10	10	L	315	72	88	19	22
Z ESVL 12	12	L	315	72	88	22	25
Z ESVL 15	15	L	315	84	100	27	28
Z ESVL 18	18	L	315	84	102	32	32
Z ESVL 22	22	L	160	88	106	36	36
Z ESVL 28	28	L	160	88	106	41	40
Z ESVL 35	35	L	160	92	114	50	50
Z ESVL 42	42	L	160	92	116	60	60
Z ESVS 6	6	S	630	74	90	17	20
Z ESVS 8	8	S	630	74	90	19	22
Z ESVS 10	10	S	630	74	92	22	25
Z ESVS 12	12	S	630	74	92	24	28
Z ESVS 14	14	S	630	88	108	27	30
Z ESVS 16	16	S	400	88	108	30	35
Z ESVS 20	20	S	400	92	114	36	38
Z ESVS 25	25	S	400	96	120	46	45
Z ESVS 30	30	S	400	100	126	50	50
Z ESVS 38	38	S	315	104	134	60	60