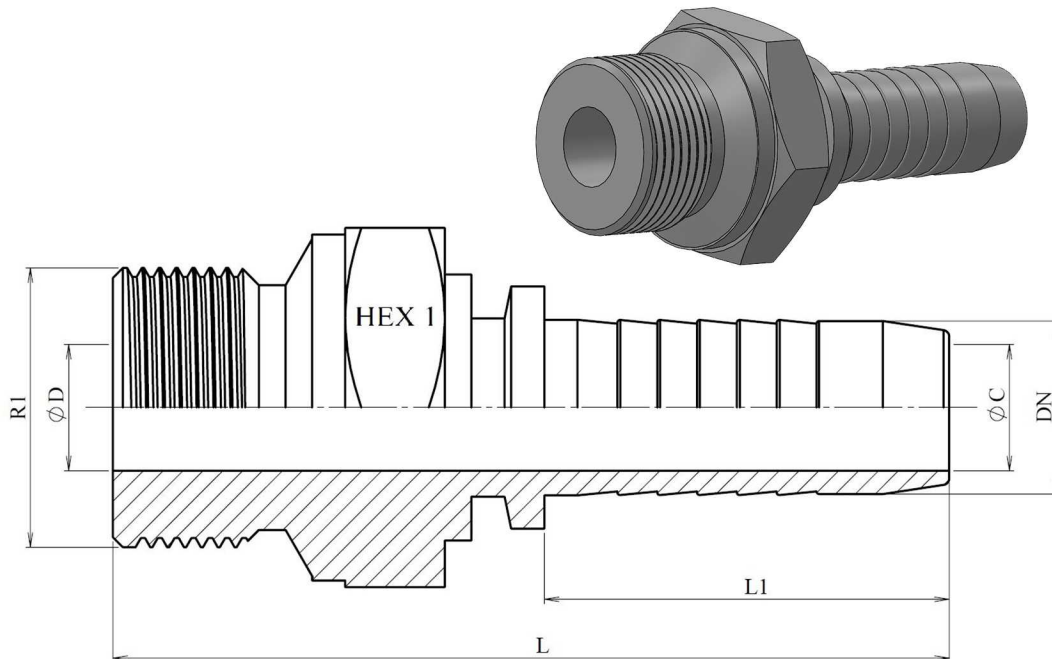


**BSP Male flat seat**

Stainless Steel AISI 316-L



Part n°	DN	R1	L	L1	HEX 1	ØC	ØD
<b>842120403</b>	3/16"	1/4" BSP	47,5	24	19	3	4,7
<b>842120404</b>	1/4"	1/4" BSP	52	28	19	4	4
<b>842120605</b>	5/16"	3/8" BSP	55,8	28	22	5,5	7
<b>842120606</b>	3/8"	3/8" BSP	57,5	29,5	22	7	7
<b>842120608</b>	1/2"	3/8" BSP	59	30,5	22	9,5	9,5
<b>842120806</b>	3/8"	1/2" BSP	61,5	29,5	27	7	9,5
<b>842120808</b>	1/2"	1/2" BSP	63	30,5	27	9,5	9,5
<b>842121010</b>	5/8"	5/8" BSP	68,3	34	30	12	12
<b>842121212</b>	3/4"	3/4" BSP	74,5	39	32	15	15
<b>842121612</b>	3/4"	1" BSP	79,5	39	41	15	19
<b>842121616</b>	1"	1" BSP	87,5	47	41	19	19
<b>842122016</b>	1"	1" 1/4 BSP	91	47	50	19	26
<b>842122020</b>	1"1/4"	1"1/4 BSP	100	54,5	50	26	26
<b>842122424</b>	1"1/2"	1"1/2 BSP	107,5	58	55	32	32
<b>842123232</b>	2"	2" BSP	122,5	72	65	44	44