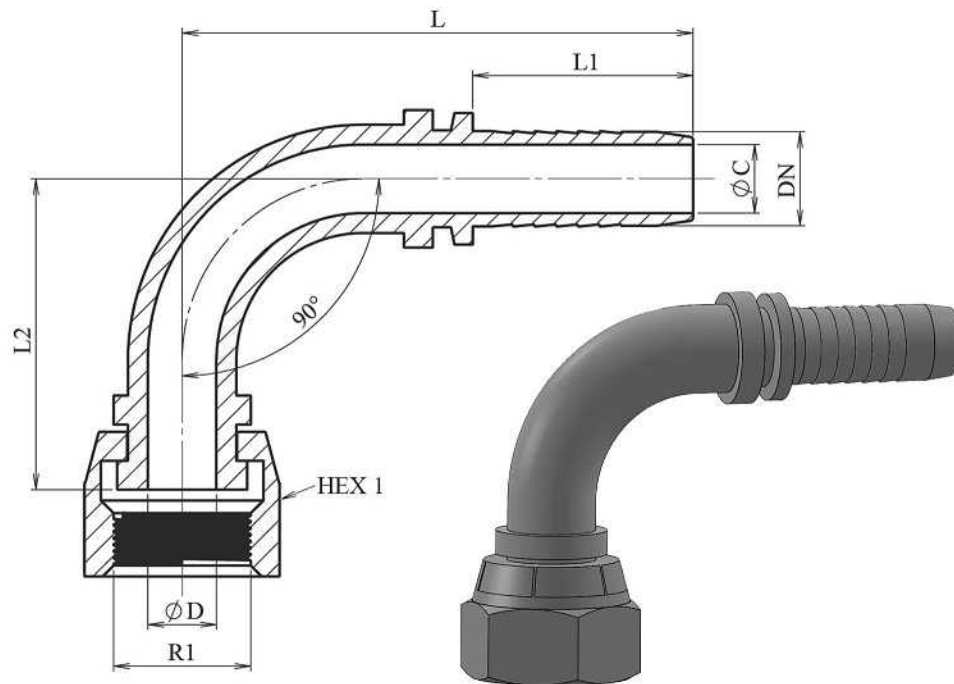


BSP Swivel female flat seat (90° Elbow)

Stainless Steel AISI 316-L

1/1

Part n°	DN	R1	L	L1	L2	HEX 1	ØC	ØD
842070404	1/4"	1/4" BSP	56	28	27	19	4	4
842070605	5/16"	3/8" BSP	63	28	33	22	5,5	7
842070606	3/8"	3/8" BSP	68	29,5	35	22	7	7
842070808	1/2"	1/2" BSP	73	30,5	38	27	9,5	9,5
842071212	3/4"	3/4" BSP	109	39	59	32	15	15
842071612	3/4"	1" BSP	103	39	59	41	15	19
842071616	1"	1" BSP	121	47	74	41	19	19
842072020	1"1/4	1"1/4 BSP	146	54,5	91	50	26	26
842072424	1"1/2	1"1/2 BSP	163	58	102	55	32	32
842073232	2"	2" BSP	211	72	128	70	44	44