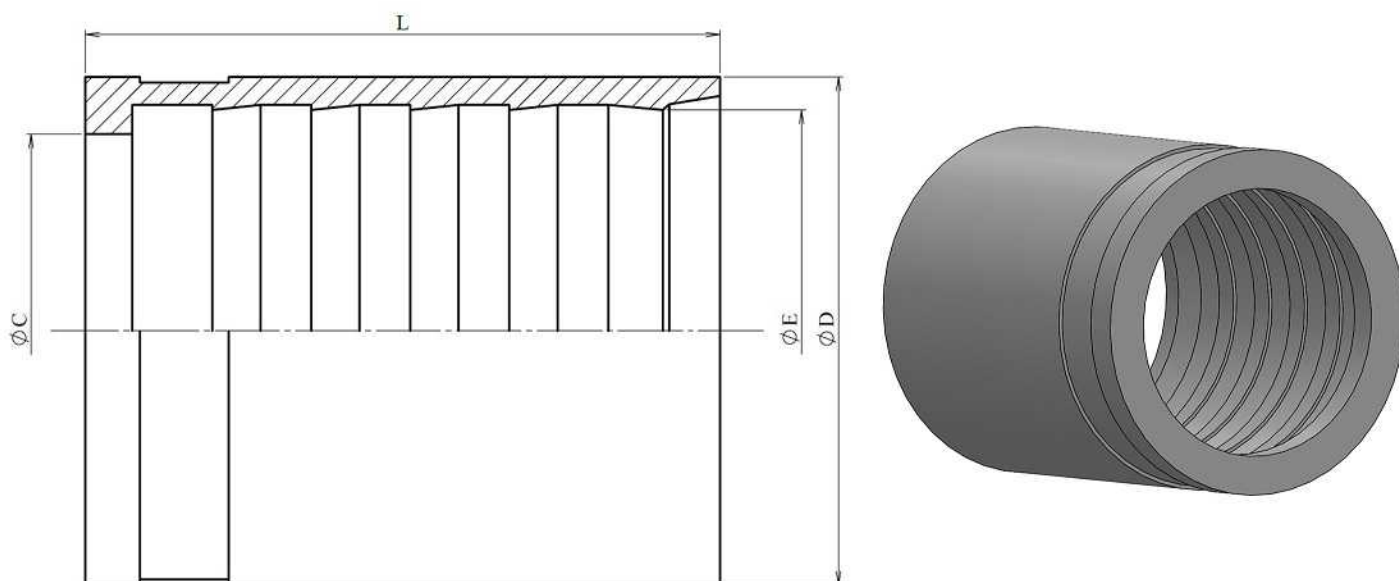


**Ferrules R7/R8 and metallic braid / R6**

Stainless Steel AISI 316-L



Part n°	DN	L	ØC	ØD	ØE
<b>810140200</b>	1/8"	24	7,2	13	9
<b>810140300</b>	3/16"	26,5	8,5	14	11,3
<b>810140400</b>	1/4"	30,5	11,3	18	14
<b>810140500</b>	5/16"	31	12,8	19	15
<b>810140600</b>	3/8"	33	14,6	22	17,8
<b>810140800</b>	1/2"	34	18,6	26	20,8
<b>810141000</b>	5/8"	36	22	29	24,5
<b>810141200</b>	3/4"	41	25	32	28
<b>810141600</b>	1"	52	31	40	34,8