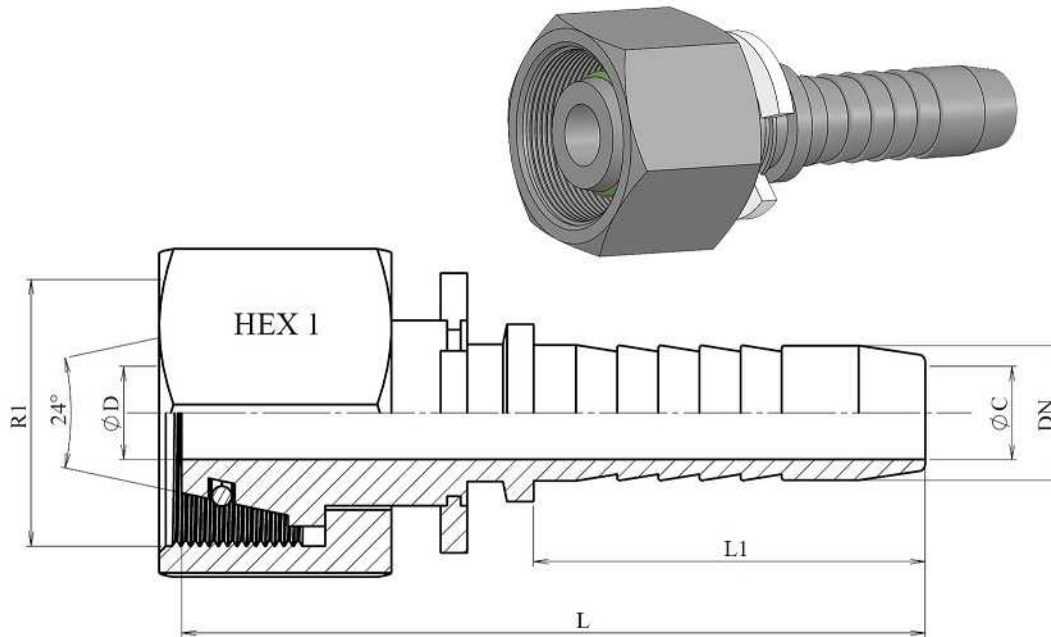


**Metric female swivel S with o'ring 24° cone**

Stainless Steel AISI 316-L

**1/2**

Part n°	DN	ØD1	Serie	R1	L	L1	HEX 1	ØC	ØD
84804140604	1/4"	6	S	M14x1.5	48	28	17	4	3
84804160804	1/4"	8	S	M16x1.5	53,5	28	19	4	4
84804160805	5/16"	8	S	M16x1.5	50,5	28	19	5,5	5,5
84804160806	3/8"	8	S	M16x1.5	51	29,5	19*	7	7
84804181004	1/4"	10	S	M18x1.5	54,7	28	22	4	4
84804181005	5/16"	10	S	M18x1.5	55	28	22	5,5	4
84804181006	3/8"	10	S	M18x1.5	57	29,5	22	7	5,5
84804201204	1/4"	12	S	M20x1.5	61	28	24	4	
84804201205	5/16"	12	S	M20x1.5	54,3	28	24	5,5	7
84804201206	3/8"	12	S	M20x1.5	56	29,5	24	7	7
84804201208	1/2"	12	S	M20x1.5	56	30,5	24*	9,5	7
84804221405	5/16"	14	S	M22x1.5	59,8	28	27	5,5	5,5
84804221406	3/8"	14	S	M22x1.5	59,5	29,5	17	7	7
84804221408	1/2"	14	S	M22x1.5	58.1	30,5	17	5	5
84804241604	1/4"	16	S	M24x1.5	57,7	28	30	4	4
84804241605	5/16"	16	S	M24x1.5	57,8	28	30	5,5	5,5
84804241606	3/8"	16	S	M24x1.5	59	29,5	30	7	9,5
84804241608	1/2"	16	S	M24x1.5	60,5	30,5	30*	9,5	7
84804241610	5/8"	16	S	M24x1.5	61	34	30	12	12
84804302008	1/2"	20	S	M30x2	64,5	30,5	36	9,5	15
84804302010	5/8"	20	S	M30x2	71,3	34	36	12	15
84804302012	3/4"	20	S	M30x2	77,5	39	36	15	15
84804362510	5/8"	25	S	M36x2	72,8	34	46	12	12
84804362512	3/4"	25	S	M36x2	79	39	46	15	15
84804362516	1"	25	S	M36x2	86	47	46	19	19
84804423012	3/4"	30	S	M42x2	81,4	39	50	15	15
84804423016	1"	30	S	M42x2	95,5	47	50	19	19

Standard series

Metric fittings

## Metric female swivel S with o'ring 24° cone



Stainless Steel AISI 316-L

2/2

Part n°	DN	ØD1	Serie	R1	L	L1	HEX 1	ØC	ØD
<b>84804523820</b>	1"1/4	38	S	M52x2	101	54,5	60	26	26

SEAL MATERIAL FKM

\* NOTE: In this reference the nut is pressed