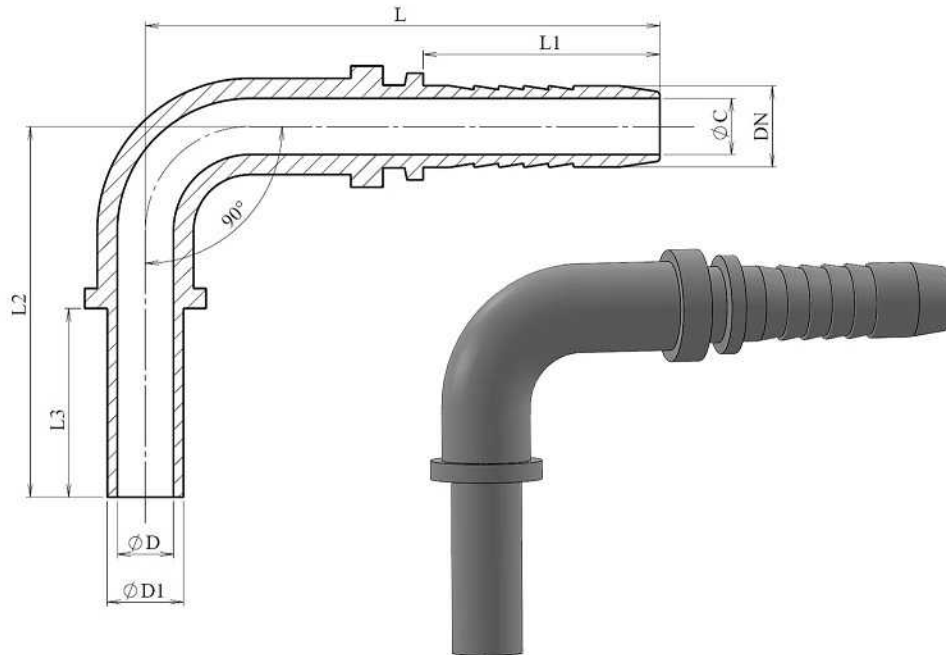


**Metric standpipe ISO 8434-1 / DIN2353 fittings
(90° Elbow)**

Stainless Steel AISI 316-L



Part nº	DN	ØD1	L	L1	L2	L3	ØC	ØD
842580602	1/8"	6	66	22	40	20	2	3
842580603	3/16"	6	47	24	40	22	3	3
842580604	1/4"	6	56	28	42	22	4	3
842580803	3/16"	8	47	24	40	22	3	4
842580804	1/4"	8	56	28	41	22	4	4
842580805	5/16"	8	62	28	46	22	5,5	4
842581004	1/4"	10	56	28	42	23,5	4	5
842581005	5/16"	10	63	28	47	23,5	5,5	5,5
842581006	3/8"	10	68	29,5	49	23,5	7	7
842581204	1/4"	12	56	28	44	25	4	7
842581205	5/16"	12	62	28	49	25	5,5	7
842581206	3/8"	12	68	29,5	51	25	7	7
842581208	1/2"	12	73	30,5	53	25	9,5	7
842581406	3/8"	14	67	29,5	56	30	7	9
842581408	1/2"	14	73	30,5	58	30	9,5	9,5
842581506	3/8"	15	67	29,5	51	25	7	10
842581508	1/2"	15	73	30,5	53	25	9,5	9,5
842581608	1/2"	16	73	30,5	60	32	9,5	9,5
842581808	1/2"	18	73	30,5	55	28	9,5	12
842581810	5/8"	18	84	34	61	28	12	12
842582010	5/8"	20	84	34	68	35	12	12
842582012	3/4"	20	103	39	79	35	15	15
842582210	5/8"	22	84	34	65	30	12	12
842582212	3/4"	22	103	39	74	30	15	15
842582512	3/4"	25	103	39	80	36	15	15
842582816	1"	28	126	47	89	36	19	19
842583016	1"	30	156	47	103	38	19	19