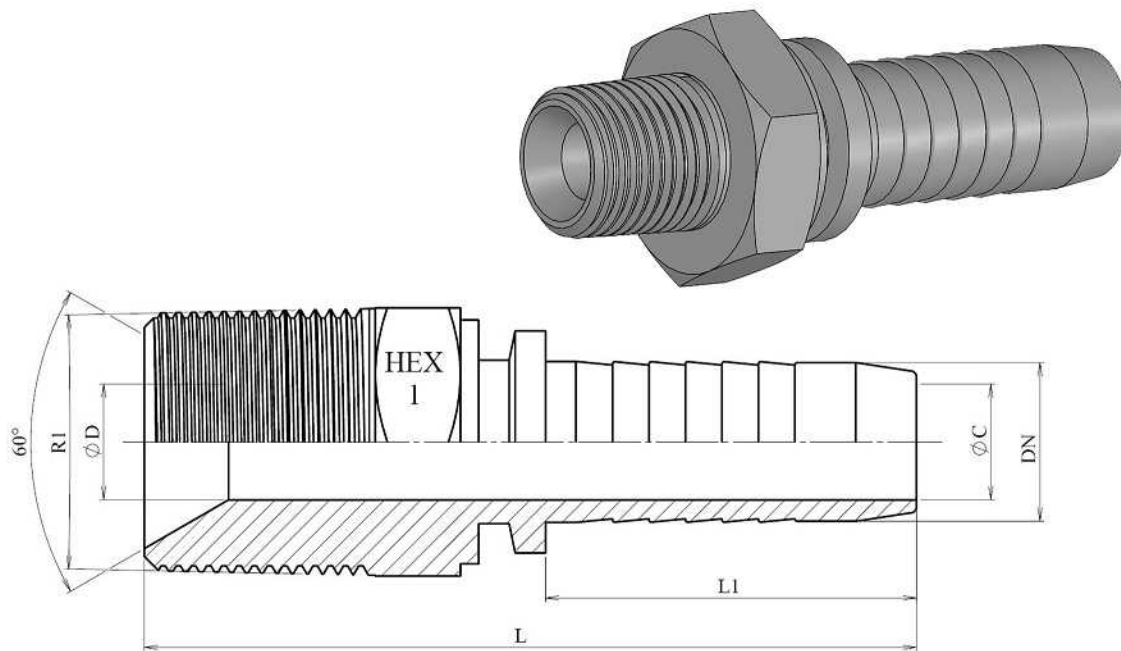


NPT Male pipe straight

Stainless Steel AISI 316-L



Part n°	DN	R1	L	L1	HEX 1	ØC	ØD
841610204	1/4"	1/8" NPT	49	28	14	4	4
841610403	3/16"	1/4" NPT	49	24	14	3	6
841610404	1/4"	1/4" NPT	53,5	28	17	4	4
841610405	5/16"	1/4" NPT	53,8	28	17	5,5	5,5
841610406	3/8"	1/4" NPT	55,5	29,5	17	7	7
841610604	1/4"	3/8" NPT	55	28	19	4	7
841610605	5/16"	3/8" NPT	55,3	28	19	5,5	9
841610606	3/8"	3/8" NPT	57	29,5	19	7	7
841610608	1/2"	3/8" NPT	58,5	30,5	22	9,5	7
841610806	3/8"	1/2" NPT	61,5	29,5	22	7	12
841610808	1/2"	1/2" NPT	63	30,5	22	9,5	9,5
841610810	5/8"	1/2" NPT	66,8	34	22	12	12
841610812	3/4"	1/2" NPT	73	39	27	15	11
841611208	1/2"	3/4" NPT	67,5	30,5	30	9,5	15
841611210	5/8"	3/4" NPT	70,3	34	30	12	12
841611212	3/4"	3/4" NPT	77,5	39	30	15	15
841611216	1"	3/4" NPT	85	47	32	19	15
841611612	3/4"	1" NPT	80	39	36	15	15
841611616	1"	1" NPT	89	47	36	19	19
841612016	1"	1"1/4 NPT	96	47	46	19	19
841612020	1"1/4	1"1/4 NPT	105	54,5	46	26	26
841612416	1"	1"1/2 NPT	94,5	47	50	19	26
841612420	1"1/4	1"1/2 NPT	102	54,5	50	26	26
841612424	1"1/2	1"1/2 NPT	105,5	58	50	32	32
841613232	2"	2" NPT	122,5	72	65	44	44