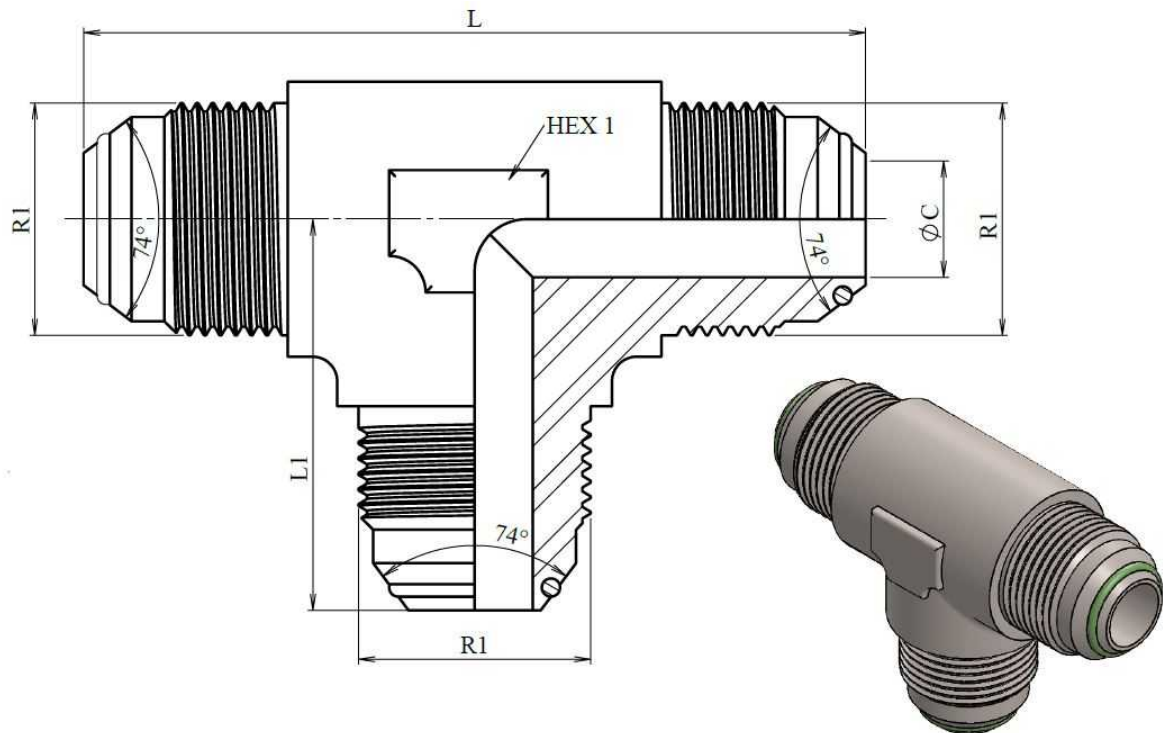


Union tee male JIC 37° with o'ring

Stainless Steel AISI 316-L

1/1

Part n°	ØD1	ØD2	R1	L	L1	ØC	HEX 1
ZS50506OR	6	1/4"	7/16" 20h UNF	47,5	23,8	4	12
ZS50508OR	8	5/16"	1/2" 20h UNF	48	24	6	14
ZS50510OR	10	3/8"	9/16" 18h UNF	54	27	7,5	14
ZS50512OR	12	1/2"	3/4" 16h UNF	64	32	9,5	24
ZS50516OR	14-15-16	5/8"	7/8" 14h UNF	78	39	12	22
ZS50520OR	18-20	3/4"	1"1/16 12h UN	84	42	15,5	27
ZS50525OR	25	1"	1"5/16 12h UN	92	46	22	36
ZS50532OR	30-32	1" 1/4	1"5/8 12h UN	105	52,5	27,5	41
ZS50538OR	38	1" 1/2	1"7/8 12h UN	118	59	33,5	50