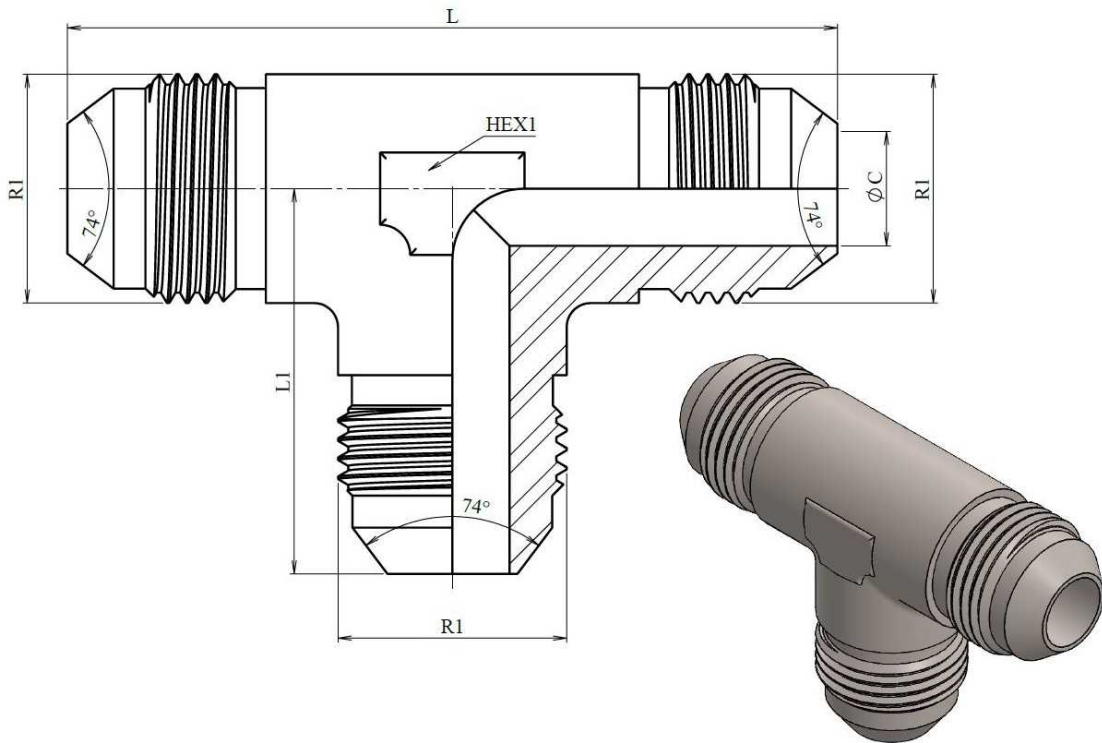


Union tee male JIC 37°

Stainless Steel AISI 316-L



| Part n° | ØD1 | ØD2 | R1 | L | L1 | ØC | HEX 1 |
|----------------|----------|--------|---------------|-----|------|------|-------|
| ZS50506 | 6 | 1/4" | 7/16" 20h UNF | 44 | 22 | 4 | 14 |
| ZS50508 | 8 | 5/16" | 1/2" 20h UNF | 48 | 24 | 6 | 14 |
| ZS50510 | 10 | 3/8" | 9/16" 18h UNF | 54 | 27 | 7,5 | 14 |
| ZS50512 | 12 | 1/2" | 3/4" 16h UNF | 64 | 32 | 9,5 | 19 |
| ZS50516 | 14-15-16 | 5/8" | 7/8" 14h UNF | 74 | 37 | 12 | 28 |
| ZS50520 | 18-20 | 3/4" | 1"1/16 12h UN | 84 | 42 | 15,5 | 27 |
| ZS50525 | 25 | 1" | 1"5/16 12h UN | 92 | 46 | 21,5 | 36 |
| ZS50532 | 30-32 | 1" 1/4 | 1"5/8 12h UN | 105 | 52,5 | 27,5 | 41 |
| ZS50538 | 38 | 1" 1/2 | 1"7/8 12h UN | 118 | 59 | 33,5 | 50 |