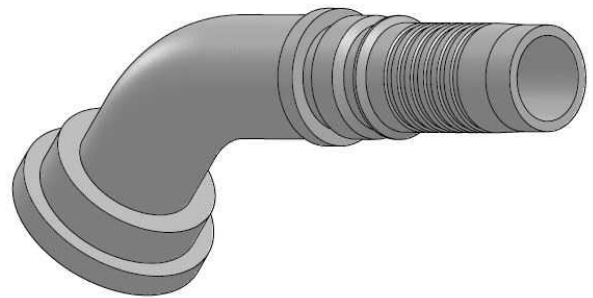
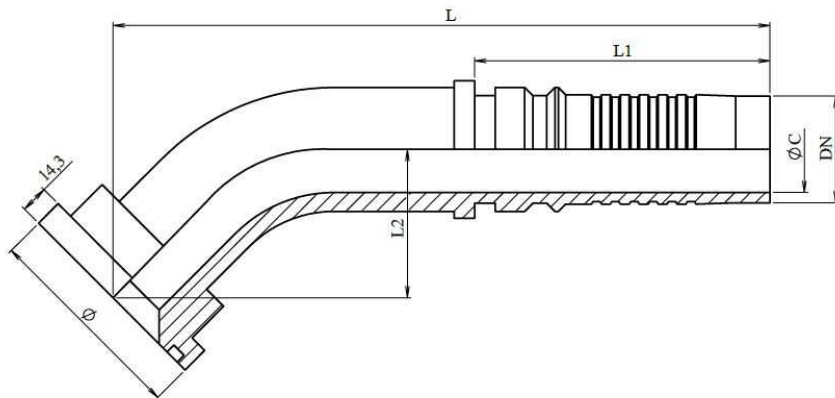


**45° 9000 PSI Flange (14,3)**

Mild Steel 1.0737 (or equivalent)



Part n°	DN	Flange	L	L1	L2	ØC
<b>643841212</b>	3/4"	41,3	137	66	31	14
<b>643841616</b>	1"	47,6	167	78,5	38	19
<b>643842016</b>	1"	54	169	78,5	40	19
<b>643842020</b>	1"1/4	54	195	86	46	25
<b>643842424</b>	1"1/2	63,5	223	98	53	32