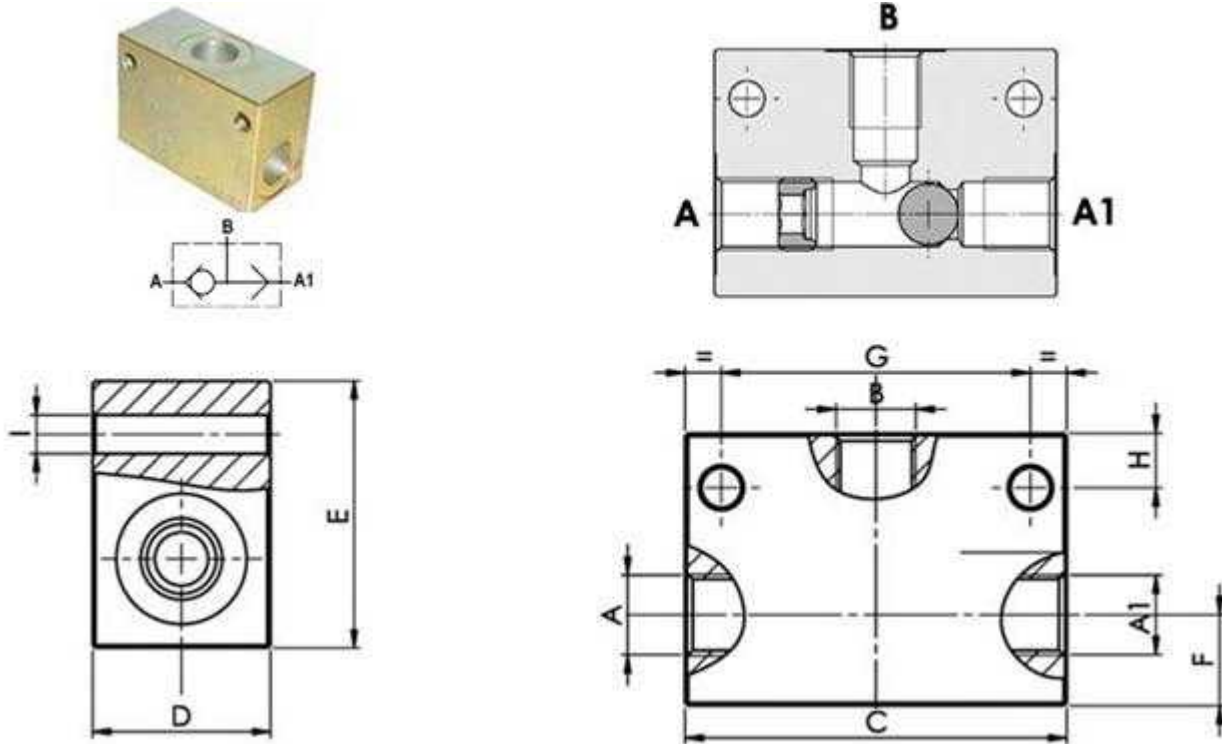


Hydraulic valves

Restrictor valves and hose breaks valves

Shuttle valve

Page: 1/1



Materials: -body and internal parts are steel made.
-external surface zinc plated.

R1: A, A1, B

Part n°	R1	Max. flow (l/min)	Max. Press. (bar)	C	D	E	F	G	H	I
VT005004	1/4" BSP	25	350	63	30	45	15	51	9	6,5
VT005006	3/8" BSP	50	350	63	30	45	15	51	9	6,5