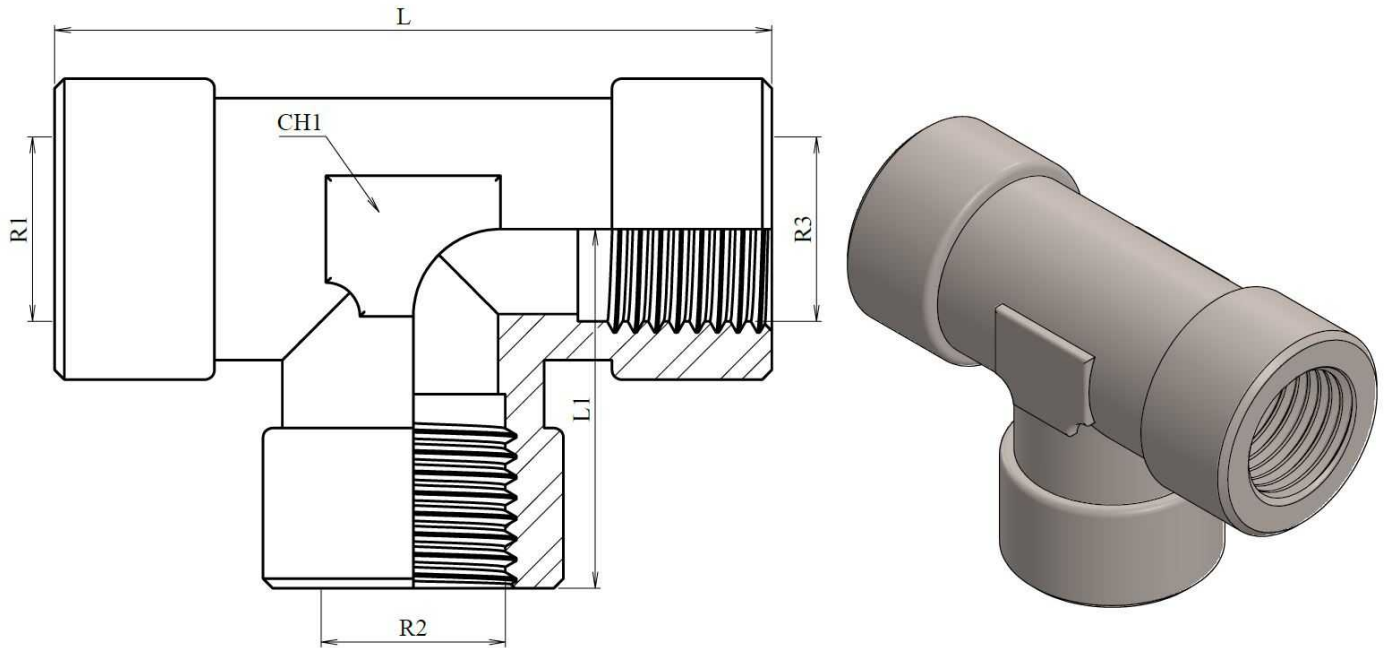


Tees fixed female BSP

Stainless Steel AISI 316-L



Part n°	R1	R2	R3	L	L1	CH1	ØC
Z122604	1/4" BSP	1/4" BSP	1/4" BSP	57	28,5	20	10
Z122606	3/8" BSP	3/8" BSP	3/8" BSP	70	35	24	12
Z122608	1/2" BSP	1/2" BSP	1/2" BSP	74	37	28	17,5
Z122612	3/4" BSP	3/4" BSP	3/4" BSP	90	45	28	16
Z122616	1" BSP	1" BSP	1" BSP	101,5	50,75	36	25