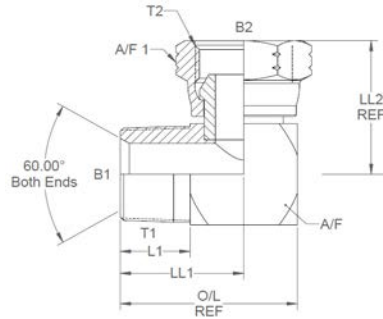
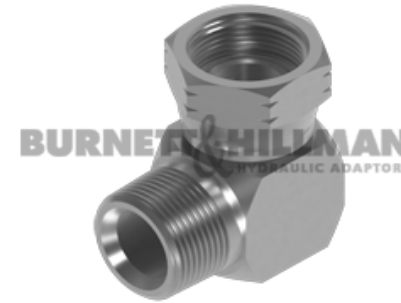
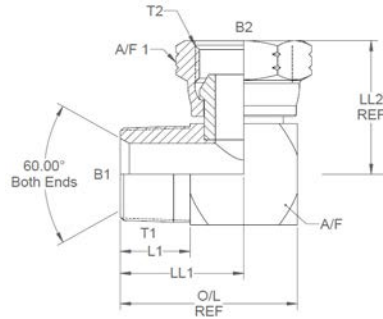


All dimensions are imperial unless stated.



	T1	T2	B1	B2	L1	O/L	LL1	LL2	A/F	A/F1
19448	1/8	1/8	0.188	0.125	0.38	0.88	0.63	0.8	0.5	14mm
19449	1/4	1/8	0.25	0.125	0.625	1.3	0.962	0.88	0.625	14mm
19450	1/4	1/4	0.25	0.172	0.625	1.312	0.962	0.96	0.625	19mm
19452	1/4	3/8	0	0	0	0	0	0	0	0
19451	3/8	1/4	0.375	0.172	0.69	1.465	1.077	1	0.75	19mm
19453	3/8	3/8	0.375	0.271	0.69	1.465	1.077	1.163	0.75	22mm
19455	3/8	1/2	0.375	0.39	0.69	1.575	1.127	1.52	0.875	27mm
19454	1/2	3/8	0.5	0.271	0.84	1.84	1.34	1.21	0.875	22mm
19456	1/2	1/2	0.472	0.375	0.84	1.84	1.34	1.277	0.875	27mm
19459	1/2	3/4	0.5	0.6	0.943	2.068	1.505	1.59	1.125	32mm
19457	3/4	1/2	0.687	0.375	0.95	2.1	1.525	1.4	1.125	27mm
19458	3/4	3/4	0.687	0.6	0.95	2.1	1.525	1.48	1.125	32mm
19460	1	3/4	0.843	0.6	1.25	2.75	2	1.63	1.375	32mm
19461	2	2	0	0	0	0	0	0	0	0

A/F dimensions are imperial unless stated.



	T1	T2	B1	B2	L1	O/L	LL1	LL2	A/F	A/F1
19448	1/8	1/8	4.78	3.18	9.65	22.35	16	20.32	0.5	14mm
19449	1/4	1/8	6.35	3.18	15.88	33.02	24.43	22.35	0.625	14mm
19450	1/4	1/4	6.35	4.37	15.88	33.32	24.43	24.38	0.625	19mm
19452	1/4	3/8	0	0	0	0	0	0	0	0
19451	3/8	1/4	9.53	4.37	17.53	37.21	27.36	25.4	0.75	19mm
19453	3/8	3/8	9.53	6.88	17.53	37.21	27.36	29.54	0.75	22mm
19455	3/8	1/2	9.53	9.91	17.53	40.01	28.63	38.61	0.875	27mm
19454	1/2	3/8	12.7	6.88	21.34	46.74	34.04	30.73	0.875	22mm
19456	1/2	1/2	11.99	9.53	21.34	46.74	34.04	32.44	0.875	27mm
19459	1/2	3/4	12.7	15.24	23.95	52.53	38.23	40.39	1.125	32mm
19457	3/4	1/2	17.45	9.53	24.13	53.34	38.74	35.56	1.125	27mm
19458	3/4	3/4	17.45	15.24	24.13	53.34	38.74	37.59	1.125	32mm
19460	1	3/4	21.41	15.24	31.75	69.85	50.8	41.4	1.375	32mm
19461	2	2	0	0	0	0	0	0	0	0