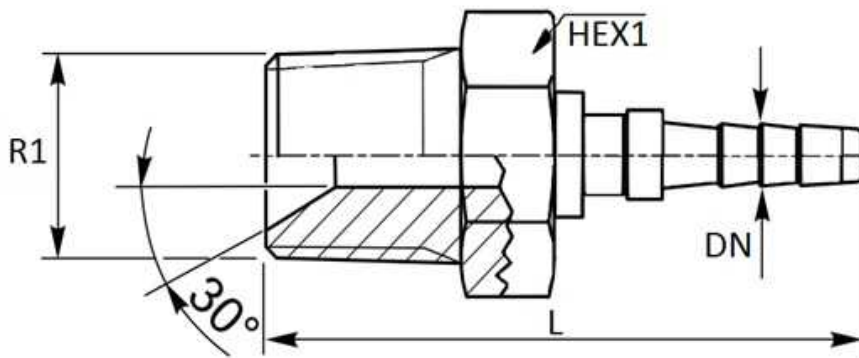


**Male NPT**

Carbon steel



Part n°	DN	R1	Working Pressure (bar)	L	HEX 1
555130200	2	1/8" NPT	620	28	12