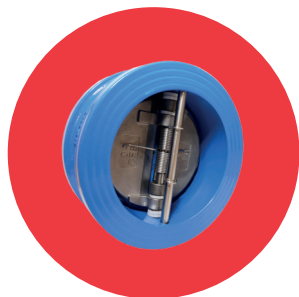


# ART 121

## Ductile Iron Dual Plate Wafer Check Valve



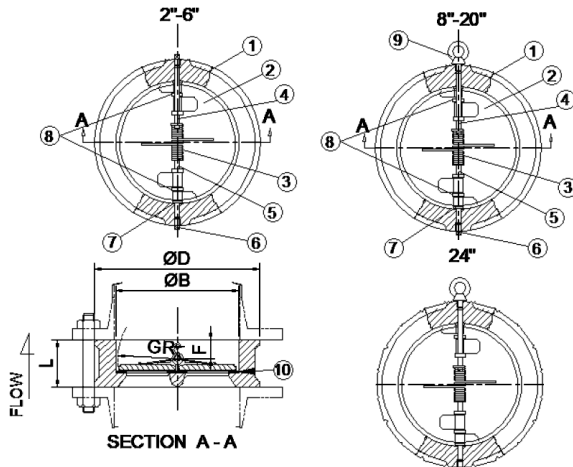
Available on  
bimstore.co

### Technical data

Max pressure: 16 Bar  
Working temp: -10°C to +120°C

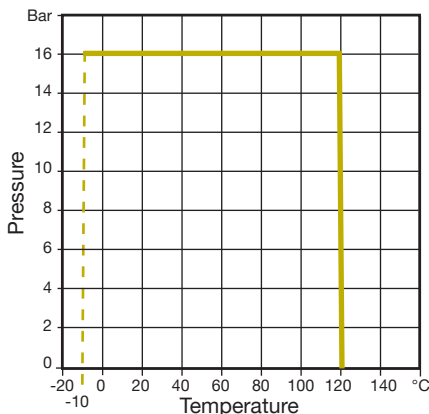
### Features

- Universal Flange mounting to suit BS EN1092 PN10 / PN16 and ANSI B16.42 Class 150
- Conforms to BS EN558-1 Series 16
- Fusion Bonded Epoxy coat finish



| DN  | 50   | 65   | 80   | 100  | 125  | 150  | 200   | 250   | 300   | 350   | 400   | 450   | 500   | 600   |
|-----|------|------|------|------|------|------|-------|-------|-------|-------|-------|-------|-------|-------|
| D   | 102  | 121  | 134  | 162  | 192  | 218  | 273   | 328   | 378   | 438   | 488   | 538   | 592   | 720   |
| B   | 65   | 80   | 94   | 117  | 145  | 170  | 224   | 265   | 310   | 360   | 410   | 450   | 505   | 624   |
| L   | 43   | 46   | 64   | 64   | 70   | 76   | 89    | 114   | 114   | 127   | 140   | 152   | 152   | 178   |
| GR  | 28.8 | 36.1 | 43.4 | 52.8 | 65.7 | 78.6 | 104.4 | 127.0 | 148.3 | 172.4 | 197.4 | 217.8 | 241.0 | 295.5 |
| F   | 19   | 20   | 28   | 27   | 30   | 31   | 33    | 50    | 43    | 45    | 52    | 58    | 58    | 73    |
| Kv  | 63   | 109  | 172  | 289  | 476  | 750  | 1432  | 2330  | 3676  | 5274  | 7306  | 9246  | 11415 | 17573 |
| Kgs | 1.6  | 2.4  | 3.8  | 4.9  | 6.8  | 9.2  | 15.6  | 27.0  | 36.8  | 55    | 73    | 101   | 117   | 177   |

| N. | Part Name      | Materials            |
|----|----------------|----------------------|
| 1  | Body           | Ductile Iron         |
| 2  | Plate          | Stainless Steel CF8M |
| 3  | Spring         | Stainless Steel 316  |
| 4  | Hinge Pin      | Stainless Steel 316  |
| 5  | Stop Pin       | Stainless Steel 316  |
| 6  | Plug           | Carbon Steel         |
| 7  | Body Bearing   | PTFE                 |
| 8  | Spring Bearing | PTFE                 |
| 9  | Eye Bolt       | Carbon Steel         |
| 10 | Body Seat      | EPDM                 |

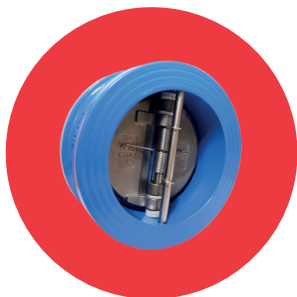


V3 Dimensions in mm

This data sheet is designed as a guide and should not be regarded as wholly accurate in every detail. We reserve the right to amend the specification of any product without notice.

# ART 121 PN25

## PN25 Ductile Iron Dual Plate Wafer Check Valve

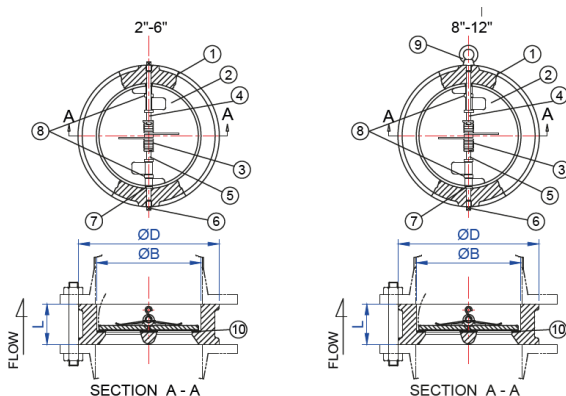


### Features

- Flange mounting to suit BS EN1092-2 PN25
- Conforms to BS EN558-1 Series 16
- Fusion Bonded Epoxy coat finish

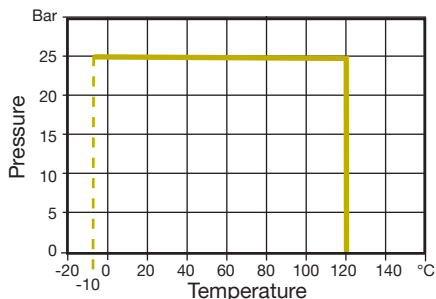
### Technical data

Max pressure: 25 Bar  
Working temp: -10°C to +120°C



| DN  | 50   | 65   | 80   | 100  | 125  | 150  | 200   | 250   | 300   |
|-----|------|------|------|------|------|------|-------|-------|-------|
| D   | 107  | 127  | 142  | 162  | 192  | 222  | 282   | 339   | 399   |
| B   | 65   | 80   | 94   | 117  | 145  | 170  | 224   | 267   | 312   |
| L   | 43   | 46   | 64   | 64   | 70   | 76   | 89    | 114   | 114   |
| Kv  | 63   | 109  | 172  | 289  | 476  | 750  | 1432  | 1935  | 3676  |
| Kgs | 1.76 | 2.42 | 3.63 | 4.73 | 6.60 | 8.80 | 15.62 | 24.75 | 36.41 |

| N. | Part Name      | Materials                  |
|----|----------------|----------------------------|
| 1  | Body           | Ductile Iron EN-GJS-400-15 |
| 2  | Plate          | Stainless Steel CF8M       |
| 3  | Spring         | Stainless Steel 316        |
| 4  | Hinge Pin      | Stainless Steel 316        |
| 5  | Stop Pin       | Stainless Steel 316        |
| 6  | Plug           | Carbon Steel               |
| 7  | Body Bearing   | PTFE                       |
| 8  | Spring Bearing | PTFE                       |
| 9  | Eye Bolt       | Carbon Steel               |
| 10 | Body Seat      | EPDM                       |



V1. Dimensions in mm

This data sheet is designed as a guide and should not be regarded as wholly accurate in every detail. We reserve the right to amend the specification of any product without notice.