

# ART 125

## Ductile Iron Butterfly Valve Wafer Type



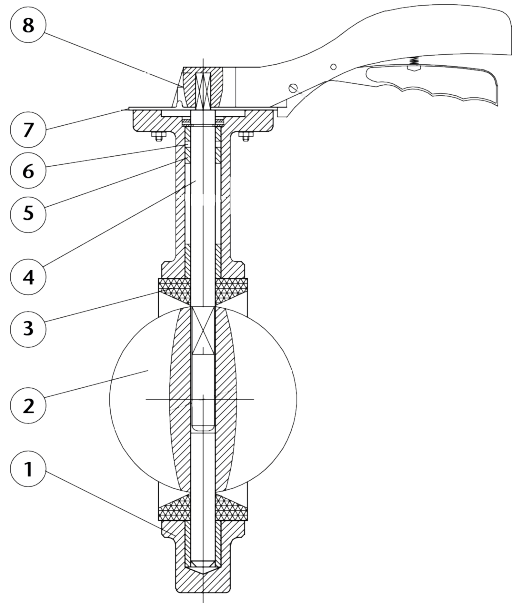
### Features

- Universal flange mounting PN10, PN16, ANSI Class 150
- BS5155 (BS EN 593)
- ISO 5211 direct mount
- Epoxy coat finish
- Lockable handle

### Technical data

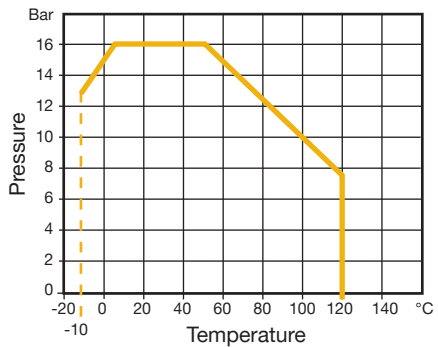
Max pressure: 16 Bar

Working temp: -10°C to +120°C

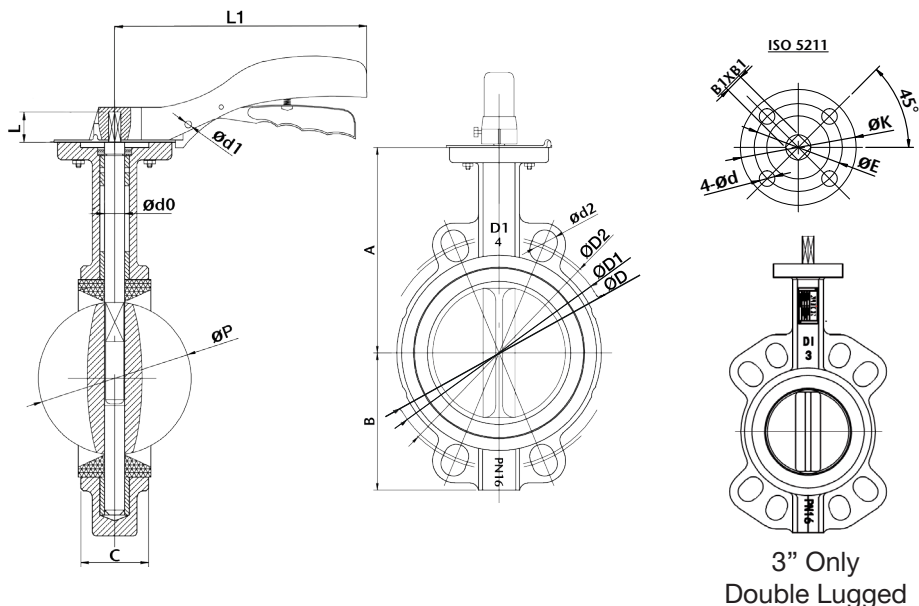


### N. Part Name Materials

N.	Part Name	Materials
1	Body	Ductile Iron GGG40
2	Disc	Stainless Steel 316
3	Seat	EPDM
4	Stem	Stainless Steel 410
5	Bushing	PTFE
6	O-Ring	EPDM
7	Indicator	Carbon Steel
8	Handle	Aluminium



# ART 125



3" Only  
Double Lugged

DN	2"	2 1/2"	3"	4"	5"	6"	8"	10"	12"
A	140	150	158	176	190	211	235	265	305
B	80	89	95	114	127	139	175	203	242
C	42.0	44.7	45.2	52.0	54.4	55.8	60.6	65.6	76.9
P	52.9	64.5	78.8	104.0	123.3	155.1	202.5	250.5	301.5
D - PN10	125	145	160	180	210	240	295	350	400
D1 - PN16	125	145	160	180	210	240	295	355	410
D2 - ANSI 150	120.7	139.7	152.4	190.5	215.9	241.3	298.5	362.0	431.8
E	50	50	50	70	70	70	102	102	102
4-d	7	7	7	10	10	10	12	12	12
L	26	26	26	30	30	30	36	36	36
L1	170	170	170	215	215	215	352	352	352
d0	12.6	12.6	12.6	15.8	18.9	18.9	22.1	28.5	31.6
d1	6	6	6	6	6	6	6	6	6
d2	4-19	4-19	4-19	4-19	4-19	4-23	4-23	4-27	4-27
ISO 5211	F05	F05	F05	F07	F07	F07	F10	F10	F10
K	65	65	65	90	90	90	125	125	125
B1	9	9	9	11	14	14	17	22	22
Torque	15.1	17.2	23.1	39.8	61.9	102.0	192.0	323.0	490.0
Kv	90.97	191.44	360.93	892.66	995.29	1705.87	3182.92	4961.15	9252.07
Kgs	2.44	2.94	3.54	4.92	7.06	8.26	13.78	20.81	30.00

We strongly advise gearbox on all 8", 10" and 12" valves.