

ART 150 DN50-150

Ductile Iron Butterfly Valve

Double Flanged



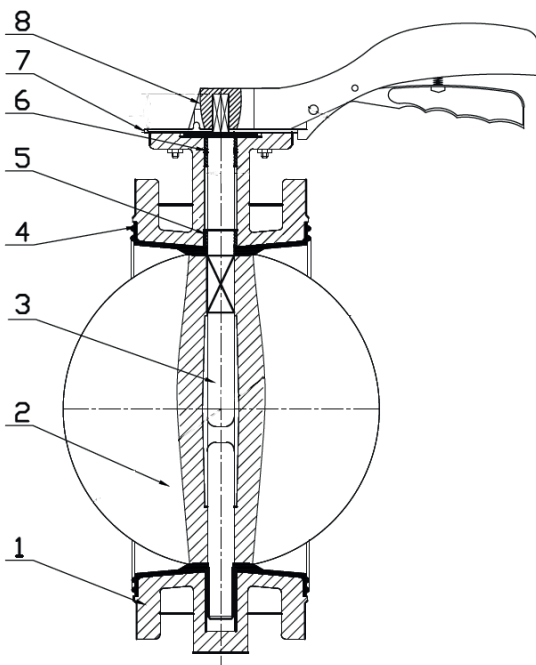
Features

- Flange mounting PN16 only
- BS5155 (BS EN 593)
- ISO 5211 direct mount
- BS EN558-1 Series 13
- Epoxy coat finish
- Lockable handle
- Vulcanised EPDM Liner

Technical data

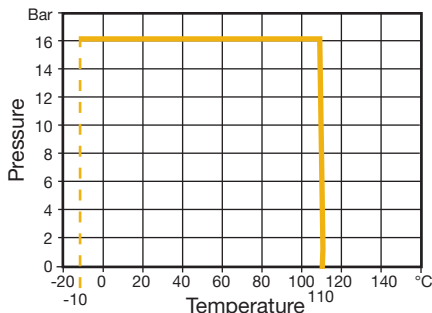
Max pressure: 16 Bar

Working temp: -10°C to +110°C



N. Part Name Materials

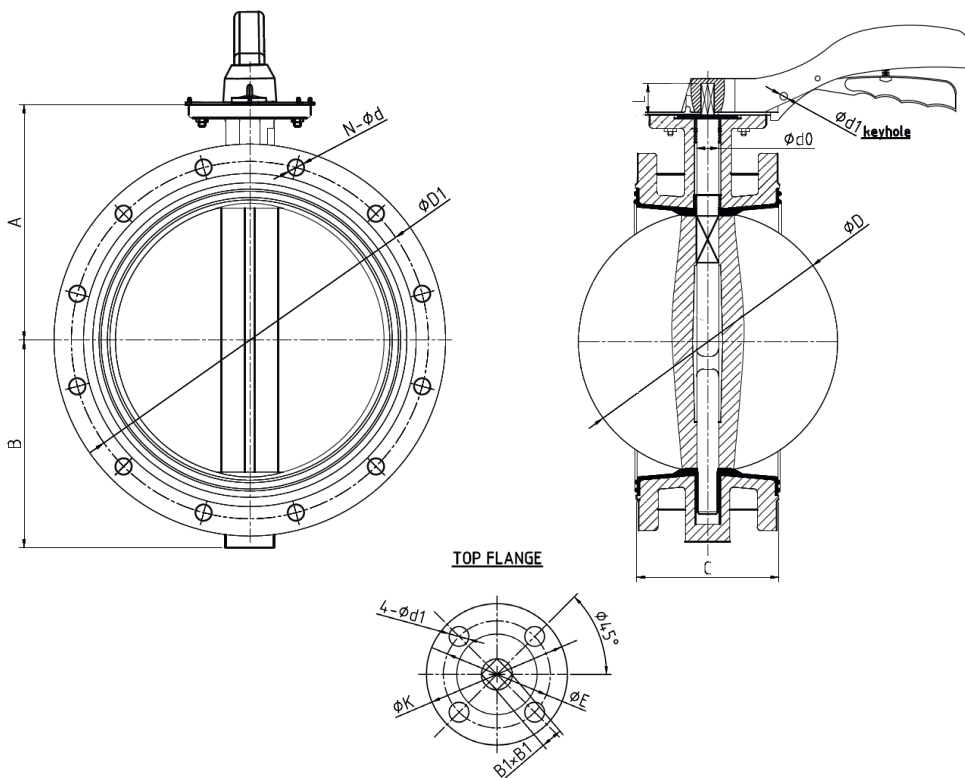
1	Body	EN GJS 400-15
2	Disc	CF8M
3	Shaft	Stainless Steel 420
4	Seat	EPDM
5	Bushing	PTFE
6	O-Ring	NBR
7	Lever	Aluminium
8	Indicator	Carbon Steel



ART 150 DN50-150

Ductile Iron Butterfly Valve

Double Flanged

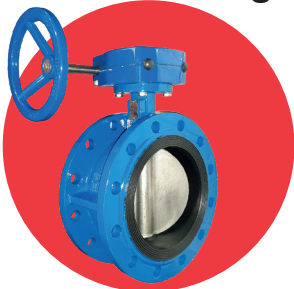


DN	50	65	80	100	125	150
A	140	130	145	155	170	190
B	83	93	100	114	125	143
C	108	112	114	127	140	140
D	52.9	64.5	78.8	104	123.3	155.1
d0	12.6	12.6	12.6	15.8	18.9	18.9
B1	9	9	9	11	14	14
L	26	26	26	27	27	27
D1	125	145	160	180	210	240
N-Ød	4-19	4-19	8-19	8-19	8-19	8-23
α°	90	90	45	45	45	45
ISO 5211	F05	F05	F05	F07	F07	F07
ØK	65	65	65	90	90	90
ØE	50	50	50	70	70	70
4-Ød1	4-7	4-7	4-7	4-10	4-10	4-10
S	170	170	170	215	215	215
d1	6	6	6	6	6	6
Torque	15	17	23	41	65	105
Kv	90.97	191.44	360.93	892.66	995.29	1705.87
Kgs	6.6	9.4	9.8	12.0	16.0	19.2

ART 150GB DN50-350

Ductile Iron Butterfly Valve

Double Flanged



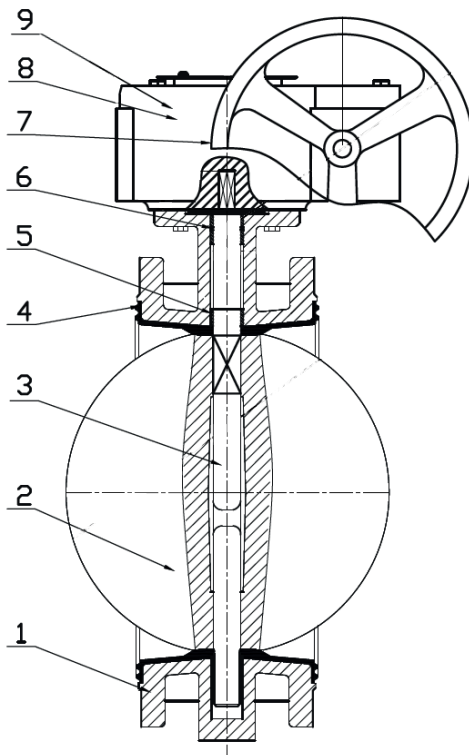
Technical data

Max pressure: 16 Bar

Working temp: -10°C to +110°C

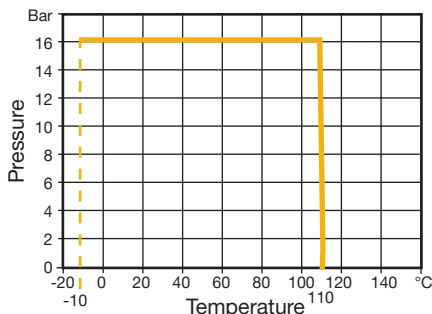
Features

- Flange mounting PN16 only
- BS5155 (BS EN 593)
- ISO 5211 direct mount
- BS EN558-1 Series 13
- Epoxy coat finish
- Vulcanised EPDM Liner



N. Part Name Materials

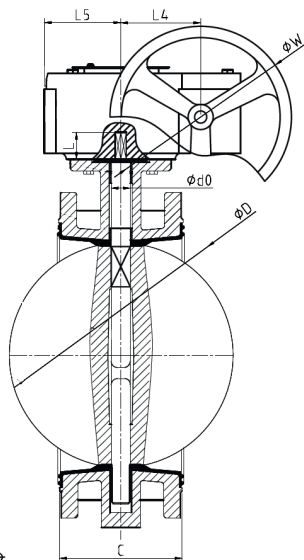
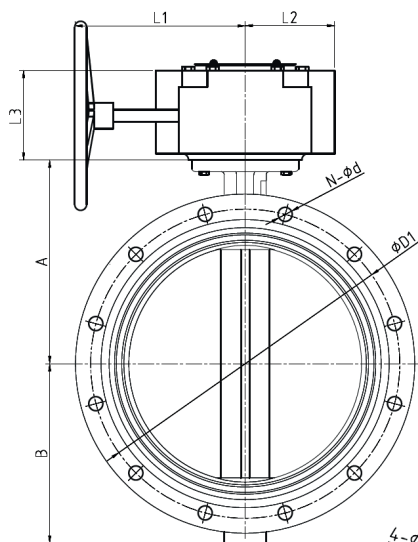
N.	Part Name	Materials
1	Body	EN GJS 400-15
2	Disc	CF8M
3	Shaft	Stainless Steel 420
4	Seat	EPDM
5	Bushing	PTFE
6	O-Ring	NBR
7	Handwheel	Cast Iron
8	Indicator	Carbon Steel
9	Gear	Ductile Iron



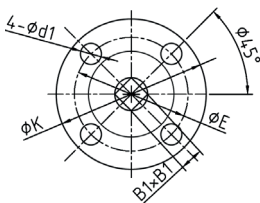
ART 150GB DN50-350

Ductile Iron Butterfly Valve

Double Flanged



TOP FLANGE

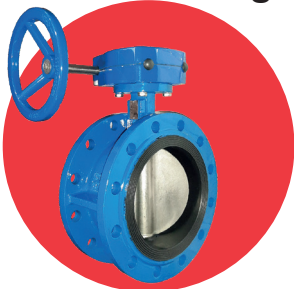


DN	50	65	80	100	125	150	200	250	300	350
A	140	130	145	155	170	190	205	235	280	328
B	83	93	100	114	125	143	170	198	223	250
C	108	112	114	127	140	140	152	165	178	190
D	52.9	64.5	78.8	104	123.3	155.1	202.5	250.5	301.5	333.3
d0	12.6	12.6	12.6	15.8	18.9	18.9	22.1	28.5	31.6	31.6
B1	9	9	9	11	14	14	17	22	22	22
L	26	26	26	27	27	27	38	38	40	40
D1	125	145	160	180	210	240	295	355	410	470
N-Ød	4-19	4-19	8-19	8-19	8-19	8-23	12-23	12-28	12-28	16-28
∠°	90	90	45	45	45	45	30	30	30	22.5
ISO 5211	F05	F05	F05	F07	F07	F07	F10	F10	F10	F10
ØK	65	65	65	90	90	90	125	125	125	125
ØE	50	50	50	70	70	70	102	102	102	102
4-Ød1	4-7	4-7	4-7	4-10	4-10	4-10	4-12	4-12	4-12	4-12
W	150	150	150	150	150	150	300	300	300	300
L1	152	152	152	152	152	152	250	250	227	227
L2	52	52	52	52	52	52	75	75	81	81
L3	75	75	75	75	75	75	86	86	83	83
L4	45	45	45	45	45	45	63	63	81	81
L5	52	52	52	52	52	52	75	75	81	81
Torque	15	17	23	41	65	105	192	323	490	625
Kv	90.97	191.44	360.93	892.66	995.29	1705.87	3182.92	4961.15	9252.07	10211.65
Kgs	9.7	12.5	13.0	15.1	19.0	22.3	36.0	49.0	65.6	95.0

ART 150GB DN400-600

Ductile Iron Butterfly Valve

Double Flanged



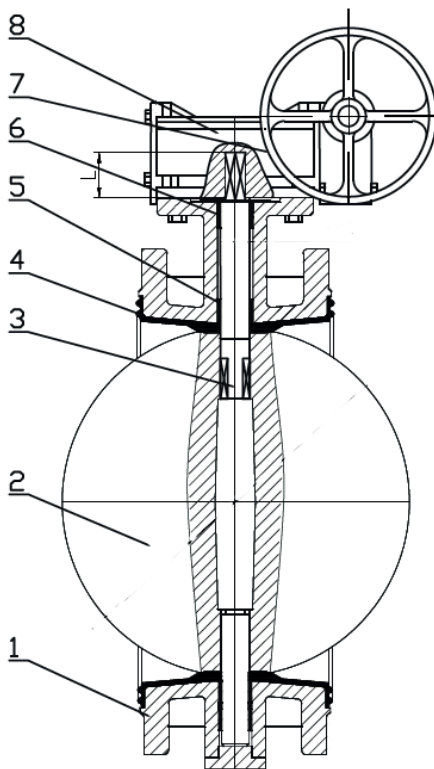
Technical data

Max pressure: 16 Bar

Working temp: -10°C to +110°C

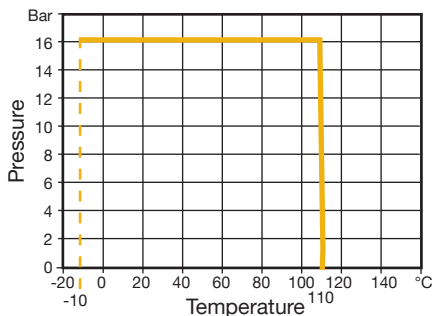
Features

- Flange mounting PN16 only
- BS5155 (BS EN 593)
- ISO 5211 direct mount
- BS EN558-1 Series 13
- Epoxy coat finish
- Gearbox
- Vulcanised EPDM Liner



N. Part Name Materials

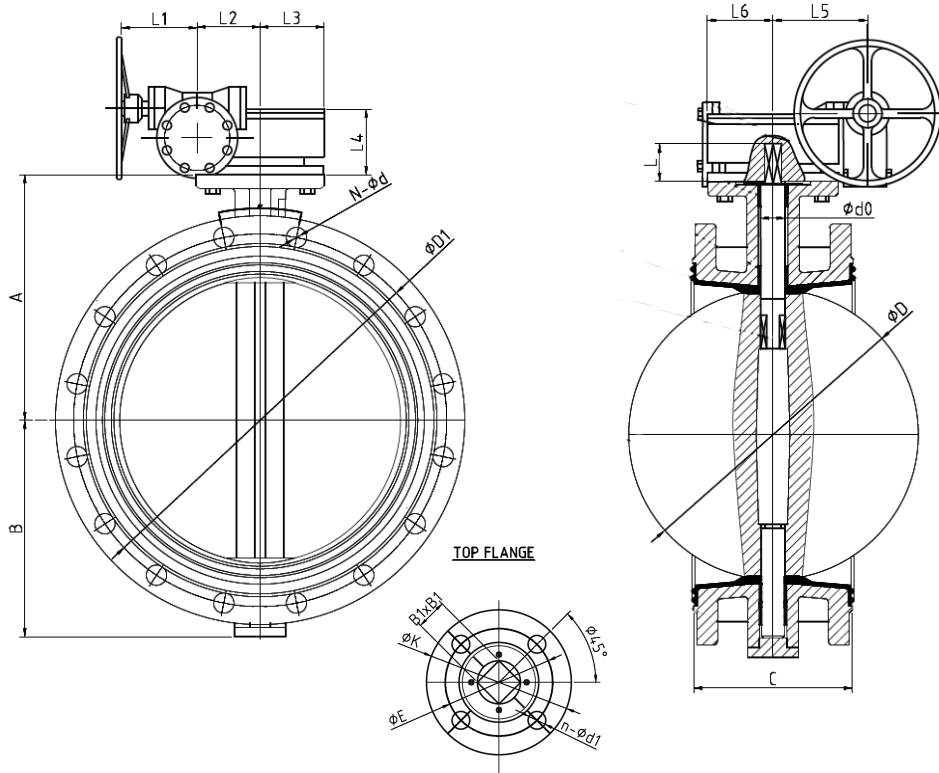
1	Body	EN GJS 400
2	Disc	CF8M
3	Shaft	Stainless Steel 420
4	Seat	EPDM
5	Bushing	PTFE
6	O-Ring	NBR
7	Handwheel	Cast Iron
8	Gearbox	Ductile Iron



ART 150GB DN400-600

Ductile Iron Butterfly Valve

Double Flanged



DN	400	450	500	600
A	376	407	433	508
B	310	332	358	423
C	216	222	229	267
D	389.6	440.5	491.6	592.5
L	52	52	65	65
B1	27	27	36	36
d0 (MPa)	37.95	42.86	45.72	53.98
D1	525	585	650	770
N-ød	16-31	20-31	20-34	20-37
α°	22.5	18	18	18
ISO5211	F14	F14	F14	F16
ØK	175	175	175	210
ØE	140	140	140	165
4-Ød1	4-18	4-18	4-18	4-23
L1	160	160	160	176
L2	94	94	94	125
L3	103.5	103.5	103.5	131
L4	110	110	110	128
L5	181	181	181	199.5
L6	103.5	103.5	103.5	131
Torque	960	1235	1560	2505
Kv	14042.84	18598.97	23914.31	36946.02
Kgs	127.0	160.0	185.0	286.0

V3. Dimensions in mm

This data sheet is designed as a guide and should not be regarded as wholly accurate in every detail. We reserve the right to amend the specification of any product without notice.