

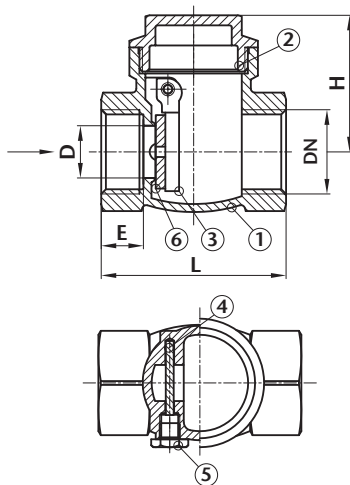
ART 84R

PN20 Brass Swing Check Valve



Features

- Screwed BSP Parallel (ISO 228/1)
- Brass body
- NBR rubber seat



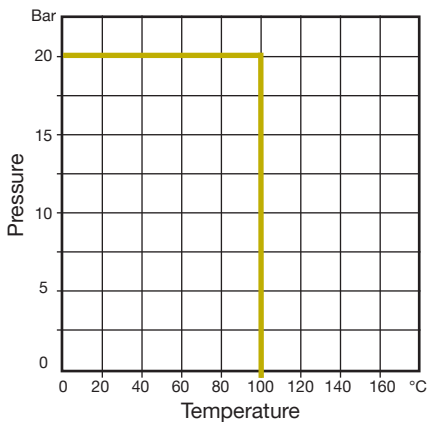
Technical data

Max pressure: 20 Bar

Working temp: 0°C to +100°C

DN	1/2"	3/4"	1"	1 1/4"	1 1/2"	2"	2 1/2"	3"	4"
L	46	56	63.5	67.5	82	94	105	126.5	159
H	34	37.5	44.5	50	56.5	65.5	77	82	103
E	10.5	13.5	14.5	14	17	19	21	23.5	27.5
D	13	18	22	29	33	42.5	50	62	83
Kv	6.4	10.0	16.9	30.5	43.0	60.0	68.0	82.0	121.0
Kgs	0.15	0.22	0.34	0.54	0.74	1.13	1.83	2.53	5.05

N.	Part Name	Materials
1	Body	Brass CW617N
2	Bonnet	Brass CW617N
3	Disc	Brass CW617N
4	Pin	Stainless Steel 304
5	Plug	Brass CW617N
6	Sealing Ring	NBR



V1. Dimensions in mm

This data sheet is designed as a guide and should not be regarded as wholly accurate in every detail. We reserve the right to amend the specification of any product without notice.

ART 84M

PN20 Brass Swing Check Valve



Features

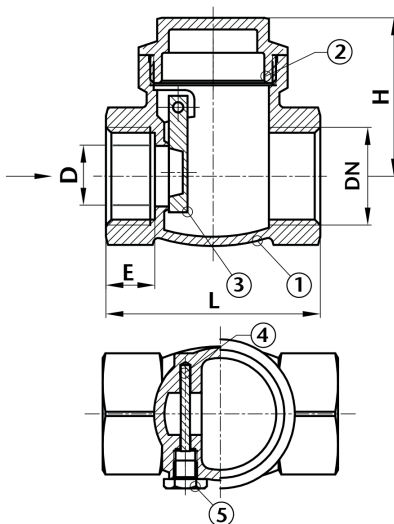
- Screwed BSP Parallel (ISO 228/1)
- Brass body
- Metal seat



Technical data

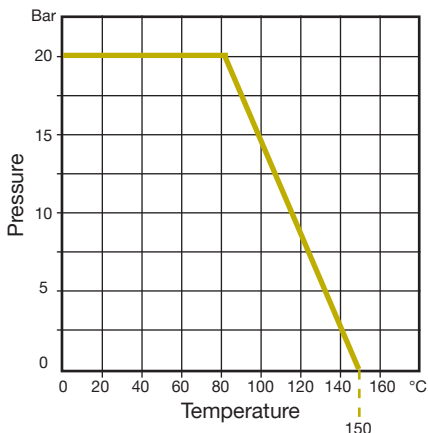
Max pressure: 20 Bar

Working temp: 0°C to +150°C



DN	1/2"	3/4"	1"	1 1/4"	1 1/2"	2"	2 1/2"	3"	4"
L	46	56	63.5	67.5	82	94	105	126.5	159
H	34	37.5	44.5	50	56.5	65.5	77	82	103
E	10.5	13.5	14.5	14	17	19	21	23.5	27.5
D	13	18	22	29	33	42.5	50	62	83
Kv	6.4	10.0	16.9	30.5	43.0	60.0	68.0	82.0	121.0
Kgs	0.15	0.22	0.34	0.54	0.74	1.13	1.83	2.53	5.05

N.	Part Name	Materials
1	Body	Brass CW617N
2	Bonnet	Brass CW617N
3	Disc	Brass CW617N
4	Pin	Stainless Steel 304
5	Plug	Brass CW617N



V1. Dimensions in mm

This data sheet is designed as a guide and should not be regarded as wholly accurate in every detail. We reserve the right to amend the specification of any product without notice.