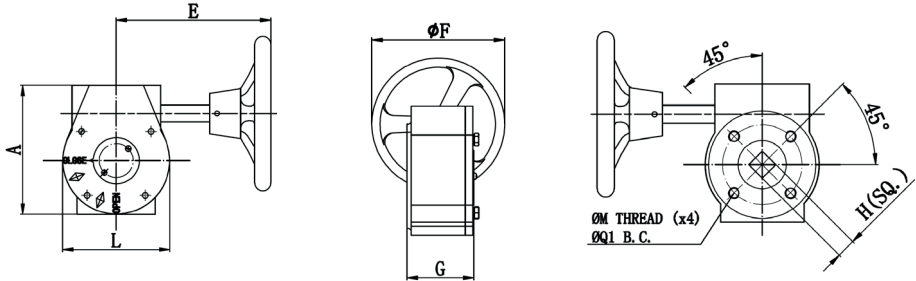


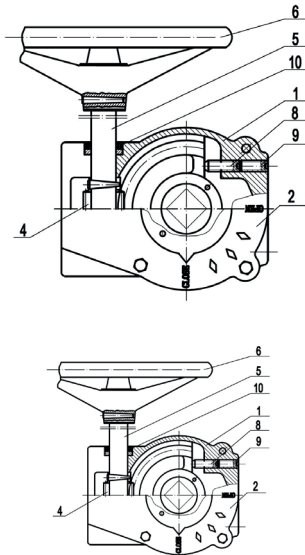
GEARBOX CI



Gearbox to suit ART 125 and ART 140 1½" - 10"



DN	1.1/2" - 3"	4" - 6"	8"	10"
A	122	122	168	168
E	156	156	208	208
ØF	147	147	278	278
G	62	62	76	76
L	102	102	145	145
H	9	14	17	22
ØQ1	50	70	102	102
ISO 5211	F05	F07	F10	F10
ØM	M6	M8	M10	M10
Kgs	3.8	3.8	8.0	8.0

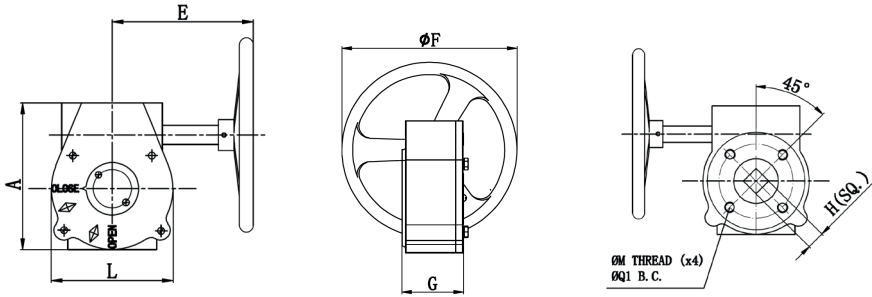


N.	Part Name	Materials
1	Housing	Grey Cast Iron EN-GJL-250
2	Top Cover	Grey Cast Iron EN-GJL-250
3	Gear Quadrant	Ductile Iron
4	Worm Gear	Steel
5	Input Shaft	Steel
6	Handwheel	Grey Cast Iron EN-GJL-250
7	Indicator	Aluminium
8	Adjustment Screw	Steel
9	Set Screw	Steel
10	Shaft Seal	NBR

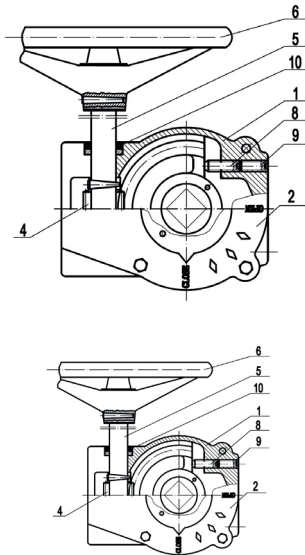
GEARBOX CI



Gearbox to suit ART 125 and ART 140 12" - 14"



DN	12"	14"
A	192.5	192.5
E	186	186
ØF	278	278
G	75	75
L	158	158
H	22	22
ØQ1	102	102
ISO 5211	F10	F10
ØM	M10	M10
Kgs	9.8	9.8



N.	Part Name	Materials
1	Housing	Grey Cast Iron EN-GJL-250
2	Top Cover	Grey Cast Iron EN-GJL-250
3	Gear Quadrant	Ductile Iron
4	Worm Gear	Steel
5	Input Shaft	Steel
6	Handwheel	Grey Cast Iron EN-GJL-250
7	Indicator	Aluminium
8	Adjustment Screw	Steel
9	Set Screw	Steel
10	Shaft Seal	NBR